



## Delivery check

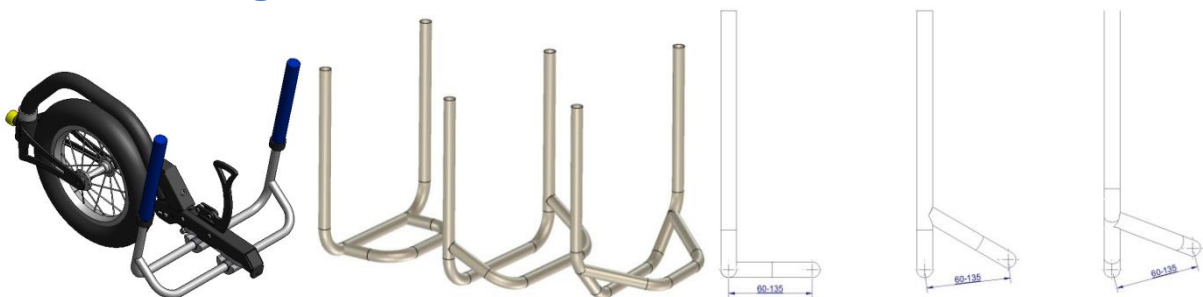


- A complete Adventus
- Mounting set
- Holder device (accessory)
- Protection cover
- User manual
- 2 years warranty

## Important to consider

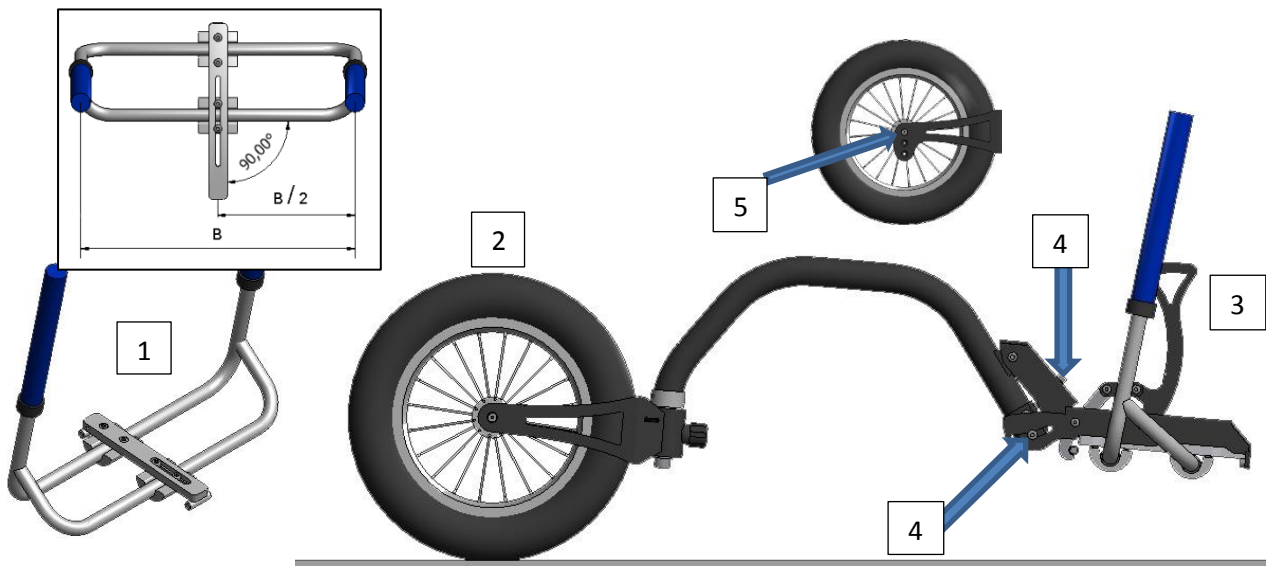
- Check the air pressure in the tyre, before using Adventus.
- Keep in mind that Adventus prolongs the front part of the wheelchair at the risk of harming yourself or others around you.
- Keep in mind that Adventus is an accessory to improve operating on a base such as snow, sand, or grass and not intended for play or sport activities.

## Before mounting Adventus

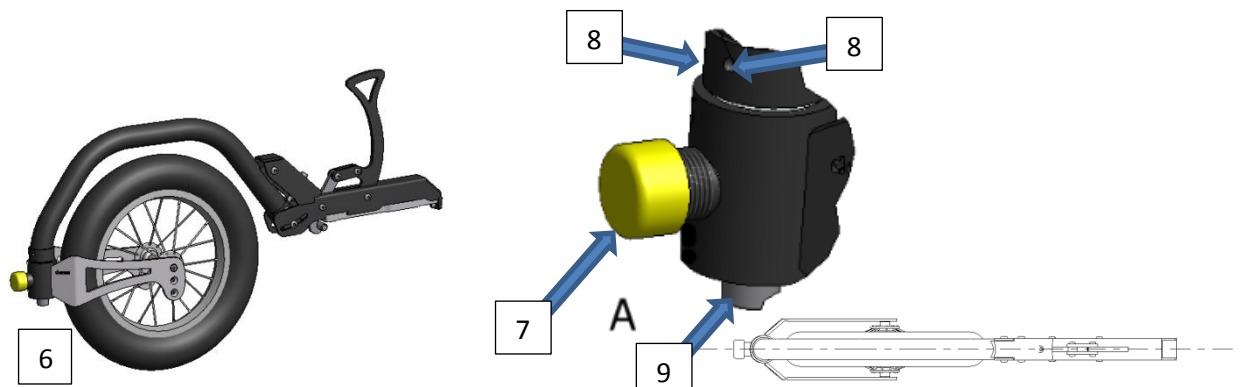


- Check which footrest is recommended by the manufacturer and that the c/c distance between the front and rear tube on the footrest is between 60-135 mm.
- For Adventus standard model, the mounting height of the footrest is to be 25-120 mm from ground level to the upper side of the tube. For the elevated front fork the mounting height is to be 25-150 mm.

## Mounting and adjusting Adventus



1. Measure the tube diameter to use the correct clamp. Mount the bracket with matching 16 or 19 mm clamp. Now mount the bracket in the center of the footrest and, above all, use a square to help to make it as straight as possible.
2. Turn the front wheel so it points forward.  
**OBS!** Please be aware that no user may sit in the chair during the first mounting/adjustment.
3. Fasten Adventus on the bracket ① by moving the lock handle lever ③ forward until it locks.
4. Adjust the height by the locking and adjusting screws so that the front wheel touches the ground.
5. A front fork with extra height adjustment is to be mounted in case the attachment height exceeds 120 mm from the upper side of the lower tube on the footrest.



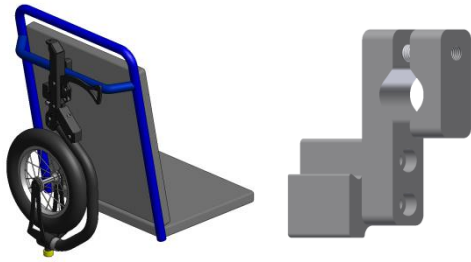
6. When it is done, turn around the front wheel. Now the wheel chair rises from the ground.
7. Screw the adjuster knob ⑦ to adjust the swing inertia.  
Screw in the knob for a heavier inertia, back off the knob for a lighter inertia.
8. Check that the wheel is aligned with the thick frame tube. If not, adjust it by loosening the socket head cap screws ⑧ and ⑨, set the distance and the wheel straight and tighten the screws.

Now you are ready for using Adventus.

### Note!

Do not forget to mount the protection cover on the bracket when not using Adventus.

## Mounting Adventus holder device



Mounting on the wheelchair:

Mount the bracket with clamps onto the horizontal tube (18-25 mm) of the back.

Attach Adventus by using the lockhandle.

### Technical facts

Length:	ca. 480 mm in front of the footrest.
Height:	ca. 350 mm from floor
Wheel size:	12"
Air pressure:	2.5 bar / 240kPa
Weight:	2.32 Kg

### Cleaning

- The wheel is cleaned preferably with compressed air or a dry plastic brush.
- Do not use corrosive or abrasive detergents.
- The frame can be wiped with a damp cloth. In case of severe soiling a mild detergent can be used.
- Wipe with a soft cloth and let dry in the air.

### Warranty

The warranty is valid for 2 years, however, not for wearing parts.

### Accidents/incidents

Any case of accidents/incidents is to be reported to the owner or manufacturer of Adventus. Please send the report to the address below:

Decon Wheel AB  
Södra Ekeryd 115  
S-314 93 Hyltebruk  
Phone: +46(0) 345-40880  
Fax: +46(0) 345-40895  
e-mail: [info@decon.se](mailto:info@decon.se)  
[www.decon.se](http://www.decon.se)





Decon Wheel AB  
Södra Ekeryd 115  
31493 Hyltebruk  
Sweden  
Phone: +46 (0)345-40880  
Fax +46 (0)345-40895  
[info@decon.se](mailto:info@decon.se)  
[www.decon.se](http://www.decon.se)