



Assembly Instructions

ADV5X02, ADV5X02L, ADV5X03, ADV5X03L,
ADV5X04, ADV5X04L, ADV5X05, ADV5X06,
ADV5X06L, ADV5X07, ADV5X09, ADV5X10,
ADV5X11, ADV5X16, ADV5X17

Adventus adapter bar

Universal

1. Safety

Symbols



Warning!

Risk of serious injury or death.

An operation that, if not correctly performed, may lead to injury to the operator or others.



CAUTION!

Risk of material damage.

An operation that, if not correctly performed, may lead to material damage.



INFO

Particularly important or explanatory information

General instructions

These instructions shall always be followed when placing the mounting ADV5 Adventus adapter bar universal on a wheelchair.

Adjustment of the Adventus wheel is described in the user manual of the Adventus wheel.

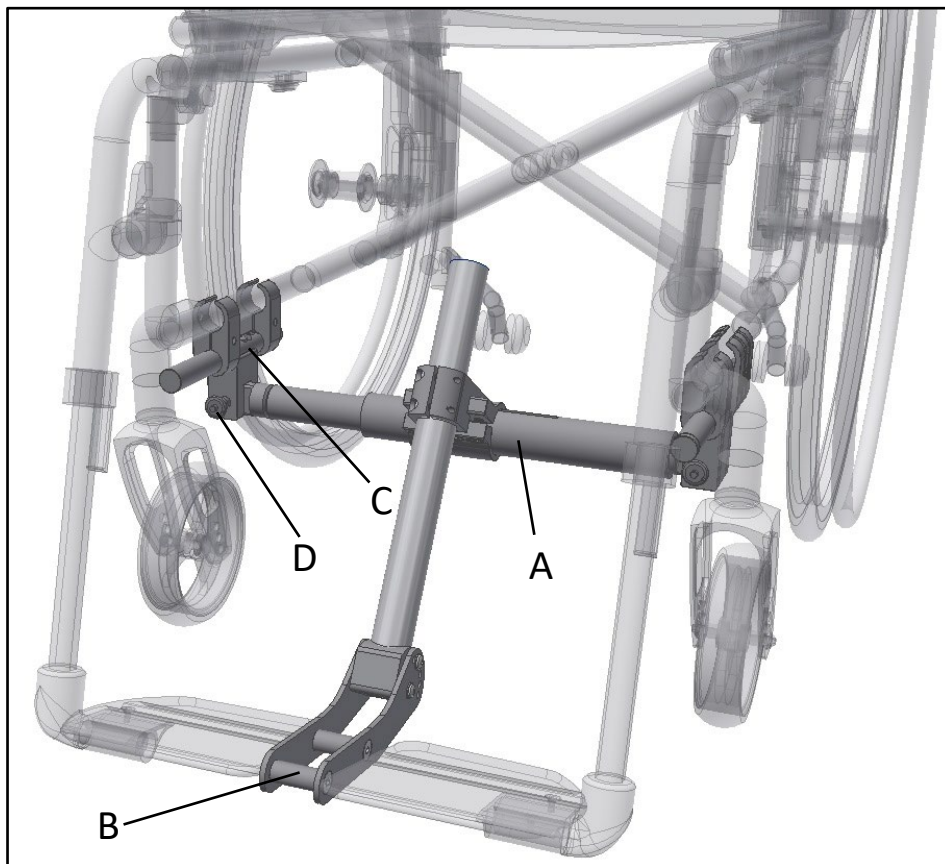
Warnings



WARNING!

Assembly work or changes made to the mounting set must be carried out by trained service technician, reseller or another person assigned by Decon.

2. Overview



- A Adapter bar
- B Fork adapter bar
- C Adapterkit
- D QR pin

INFO

The adapterkit (C) can vary depending on the tube size of the chassis and might not match the one in the picture above. These assembly instructions shows the adapterkit (C) mounted in the lower frame tubes of the wheelchair.



INFO

Adapterkit (C) can also, depending on the wheelchairs frame, be mounted in the upper frame tube of the wheelchair. The princple of such a mounting is the samt as described in the following chapters.

3. Assembly adapterkit

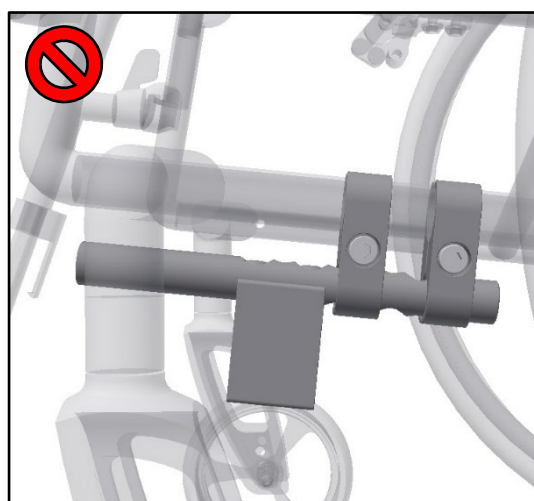
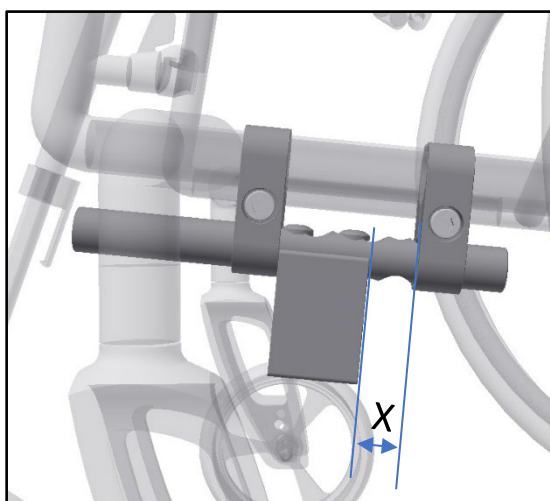
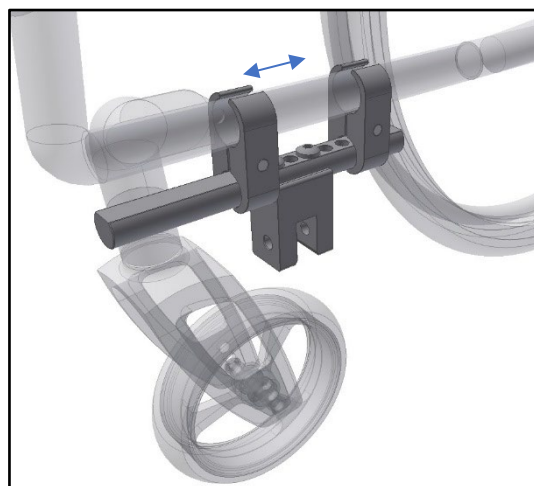
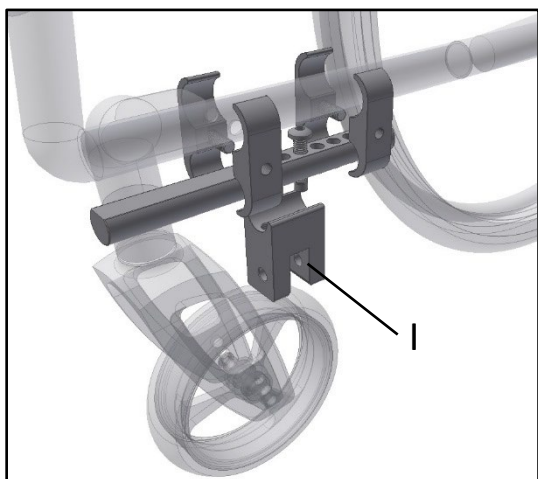
First mount the Adapterkit (C). Mount the clamps so that they still can be moved along the wheelchair frame tubes.



The distance **X** should not be greater than **20mm** to ensure that the bar gets sufficient support. The clamp should be mounted as close as possible to the holder (I).



One clamp is to be mounted on each side of the holder (I) to avoid that the bar breaks due to fatigue stress.



Mount the adapter bar (A) into the holders (I) and lock it into place using the QR Pins (D).
Now tighten the screws sitting in the clamps that connects to the frame of the wheelchair.



 **INFO**

After the screws are tightened check that the adapter bar still can be removed from its holders without excessive force. If the adapter bar is stuck in its holders loosen the screws on one side and adjust the position.

 **WARNING!**

The screws holding the clamps (G) shall be tightened to:
7-9Nm of torque (M6)
10-15Nm of torque (M8)

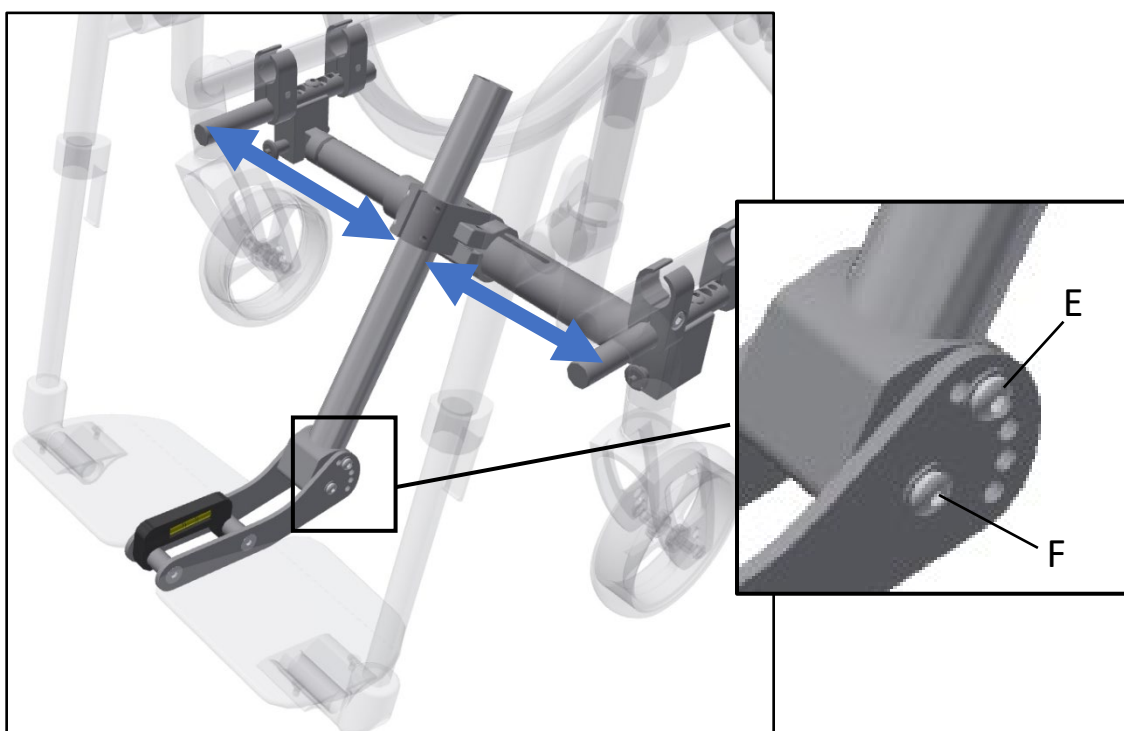
Loctite 243 or eq. must be applied.

4. Adjustment of the adapter bar

Mount the fork adapter bar (B) onto the adapter bar (A).

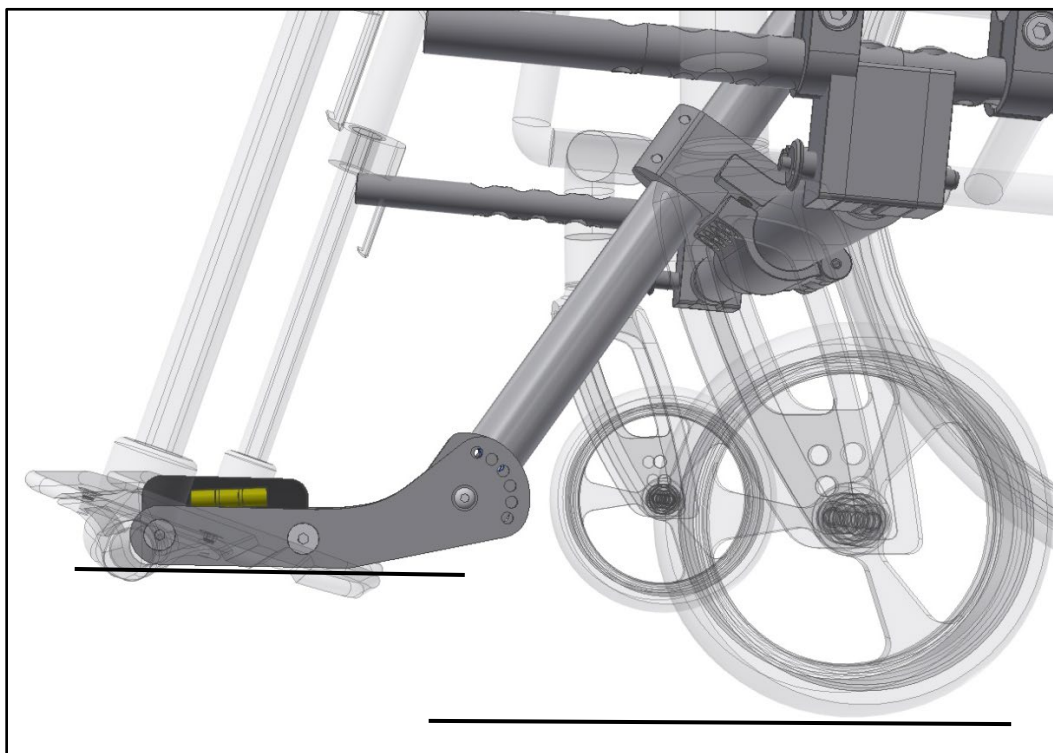


Mount the level tool onto the adapter bar fork (B). Remove the rear screws (E) in the fork that locks the rotation and make sure that the front screws (F) are a little bit loose so that the fork can be rotated. Check that the adapter bar fork (B) sits in the center of the wheelchair.



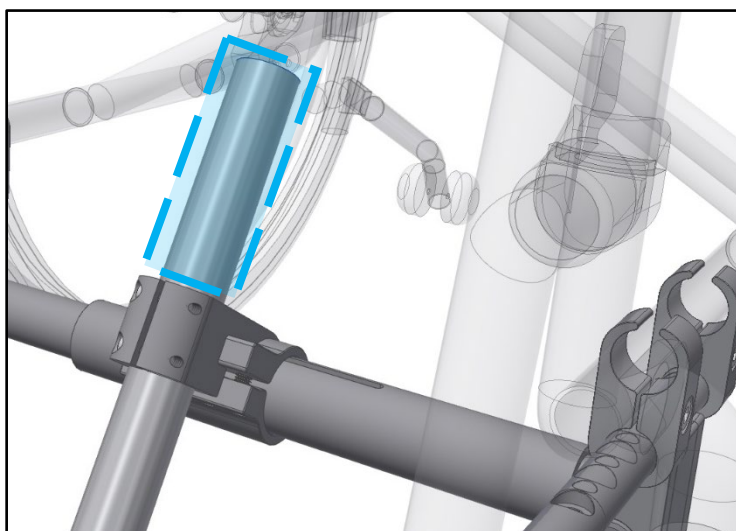
Now rotate both the adapter bar and the fork to a position where the level tool shows the correct angle and the fork doesn't collide with the footrests.

The fork can be positioned both under and over the footrest depending on wheelchair model and footrest position.

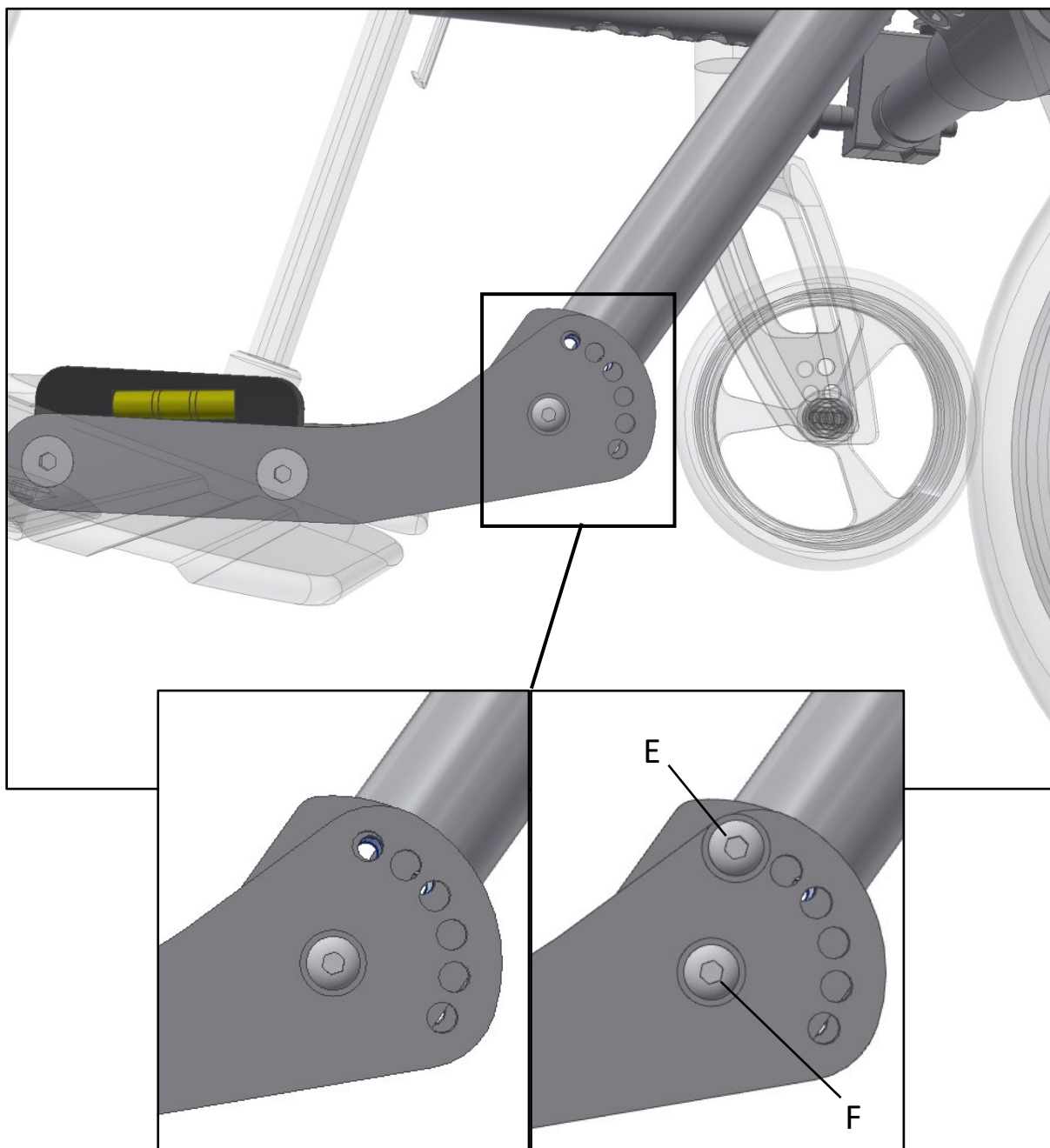


 INFO

The excessive part of the fork adapter bar (B) can be cut off with a regular hacksaw if it interferes with the wheelchair frame.



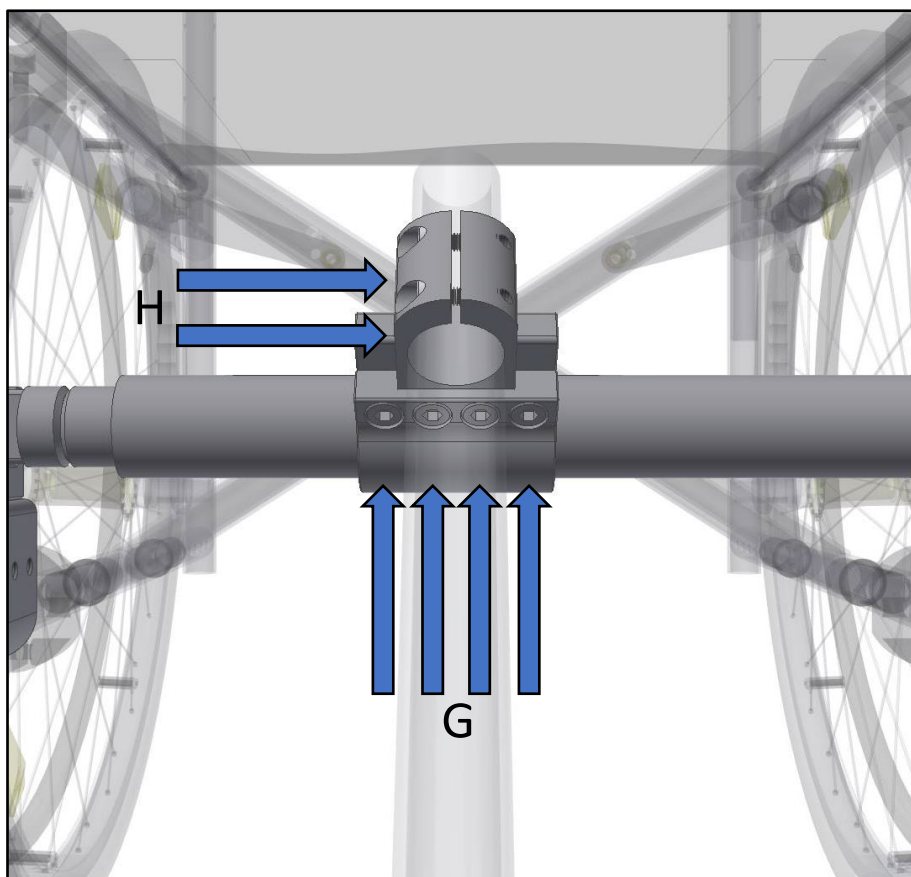
Reassemble the rear screws (E) in the hole that is fits the best. Tighten the screws.



 **WARNING!**

The screws (E&F) shall be tightened to 7-9Nm of torque. Loctite 243 or eq. must be applied if locking washers are not used.

Now, tighten the screws that sits in the clamps on the adapter bar (A) and on fork adapter bar (B). On both clamps, slightly tighten all screws. It is important to not completely tighten each screw, but to slowly tighten them a little at a time. **Keep tightening until each of four screws (G) are secured (30-35Nm of torque) and each of two screws (H) are secured (9-10Nm of torque).** Also, make sure one last time that the fork is centered and the angle of the level tool is still correct.



Check one last time that all screws are properly secured. Now, see the user manual of Adventus to continue the installation. This can be downloaded from www.decon.se/en/

Decon Wheel AB
Södra Ekeryd 119, SE-314 93 Hyltebruk, Sweden
Tel: +46 (0)345 40880
Fax: +46 (0)345 40895
E-mail: info@decon.se