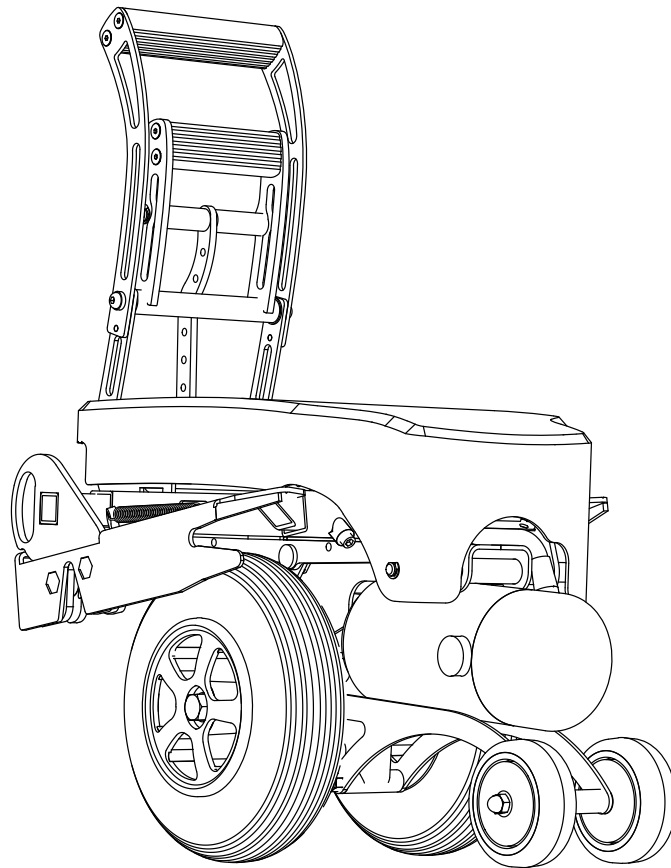




E-Walk

Spare parts catalogue



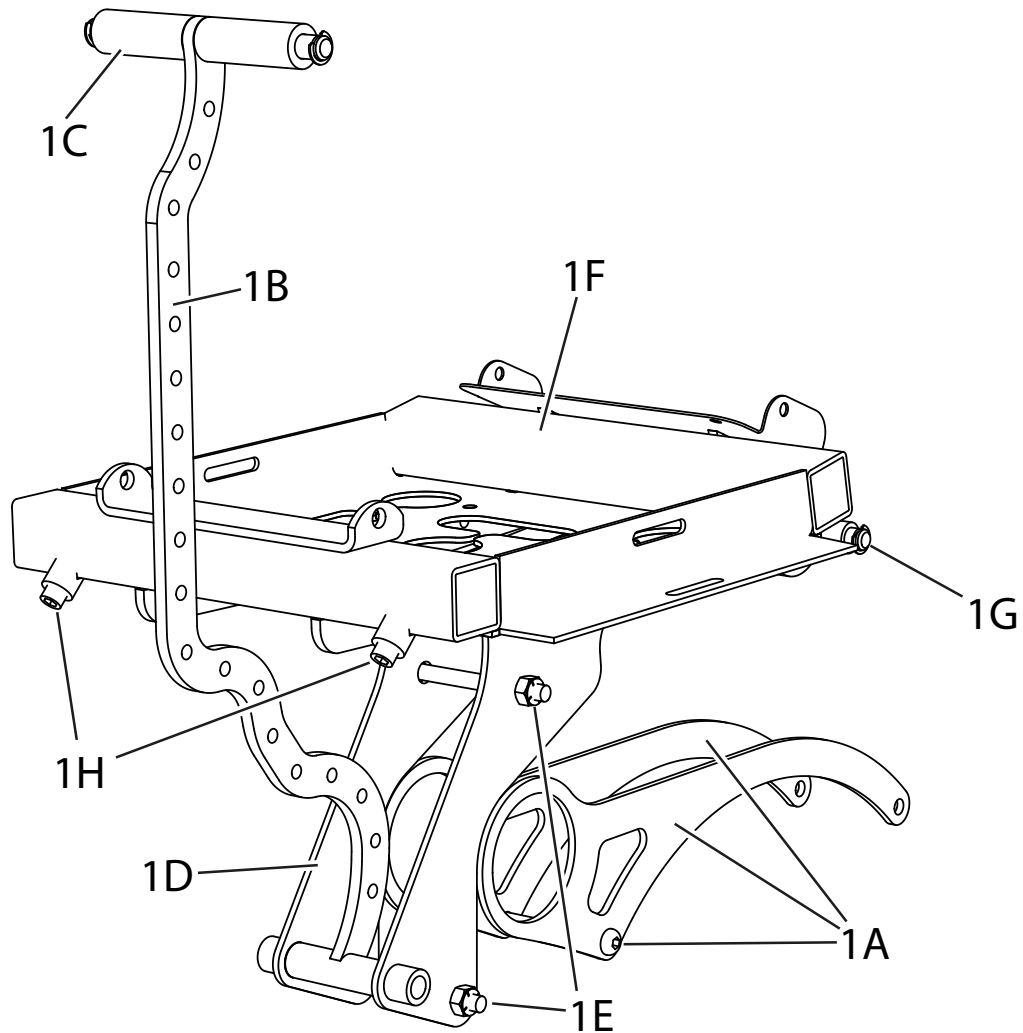
2025-04
Rev2
Original manual



Innehåll

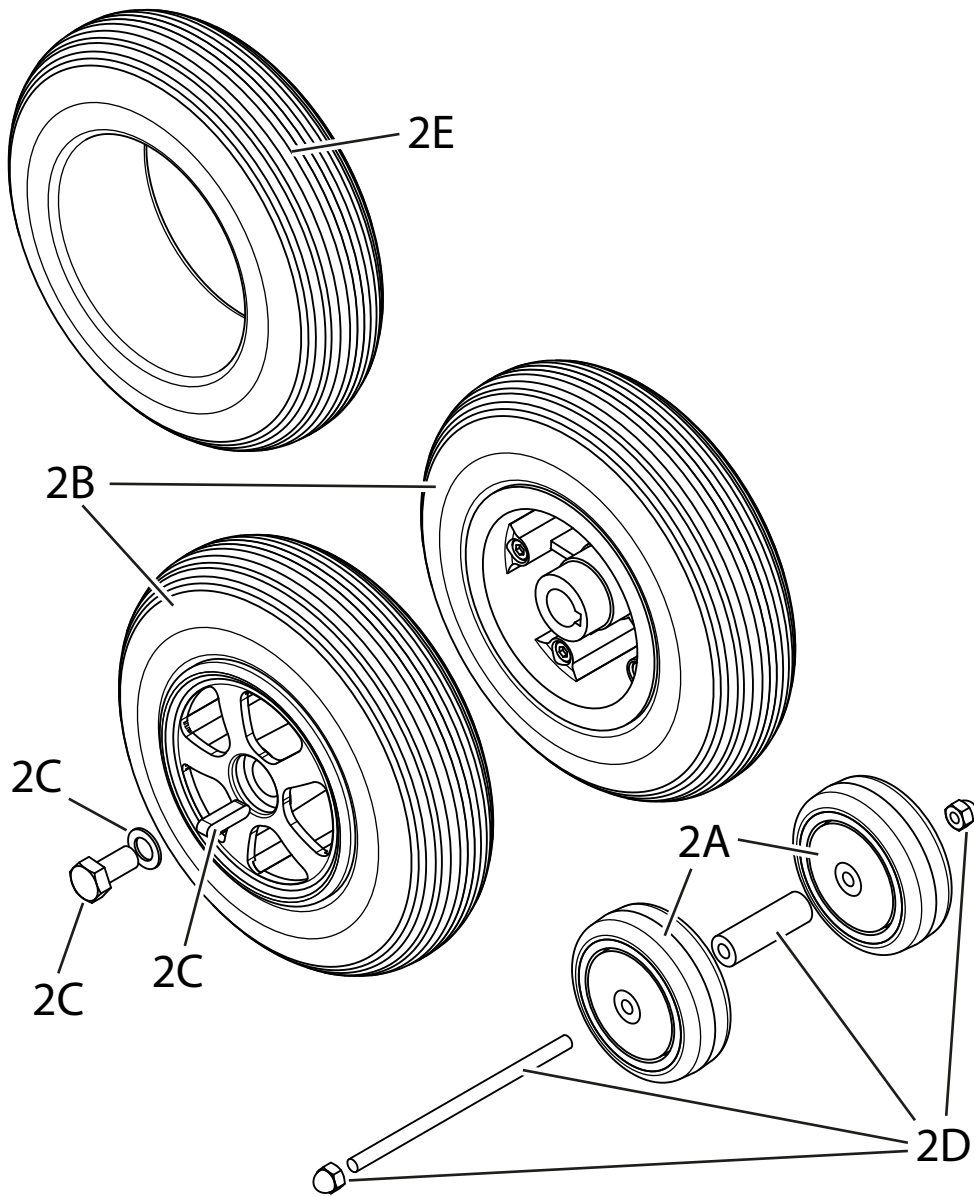
1. Chassis	3
2. Wheel.....	4
3. Gas damper	5
4. Covers	6
5. Handle -2024-09.....	7
6. Handle 2024-10-	8
7. Side piece	9
8. Battery	10
9. Controller -2024-09.....	11
10. Controller 2024-10-.....	12
11. Motor / Transmission.....	13
12. Electronics.....	14
13. Cabling.....	15
14. Chargers	16

1. Chassis



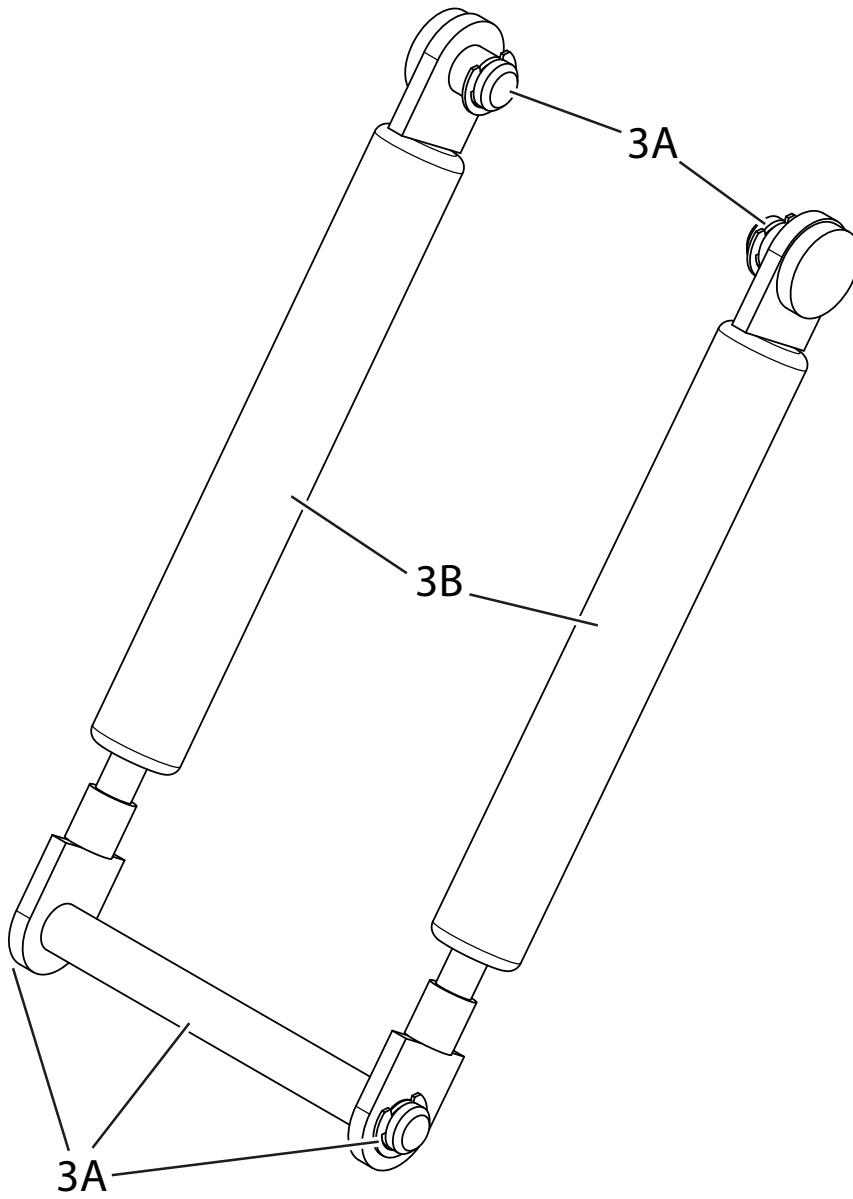
Pos	Article no.	Description
1A	350315	Front wheel plate (complete set)
1B	350299	Link arm
1C	350314	Upper link attachment
1D	350180	Engine mount
1E	350183	Assembly kit
1F	350189	Upper chassis 2013.08-
1G	350186	Shoulder kit
1H	350188	Stop screw

2. Wheel



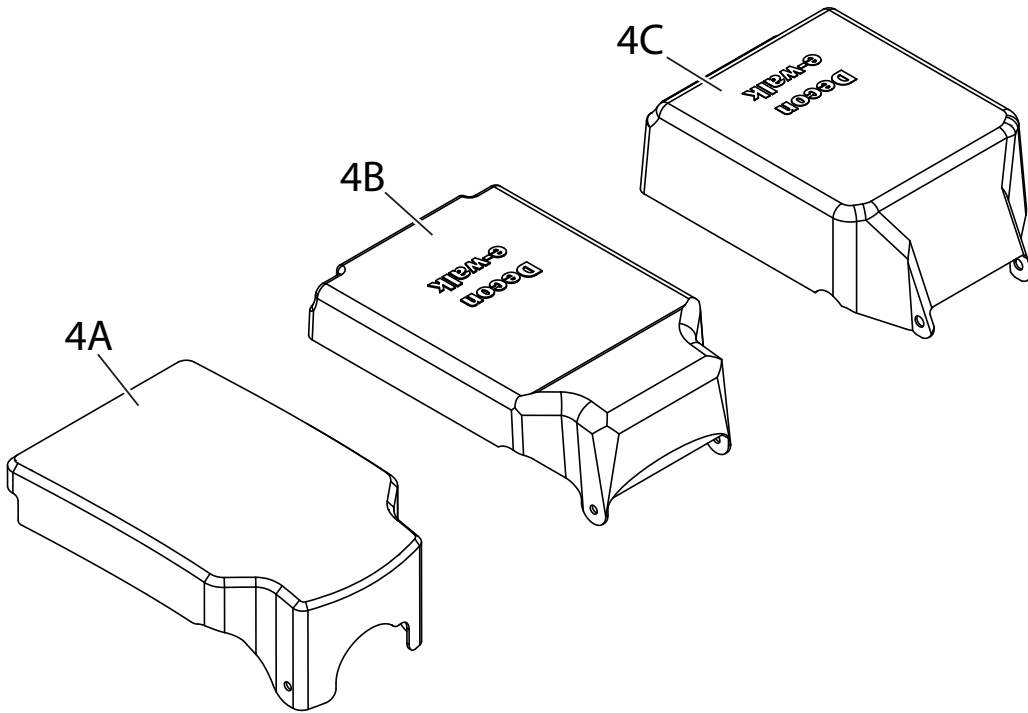
Pos	Article no.	Description
2A	350600	Front wheel
2B	350650	Drive wheel
2C	350630	Mounting kit (drive wheel)
2D	350645	Mounting kit (front wheel 2013-)
2E	MCG2005	Tires (drive wheels)

3. Gas damper



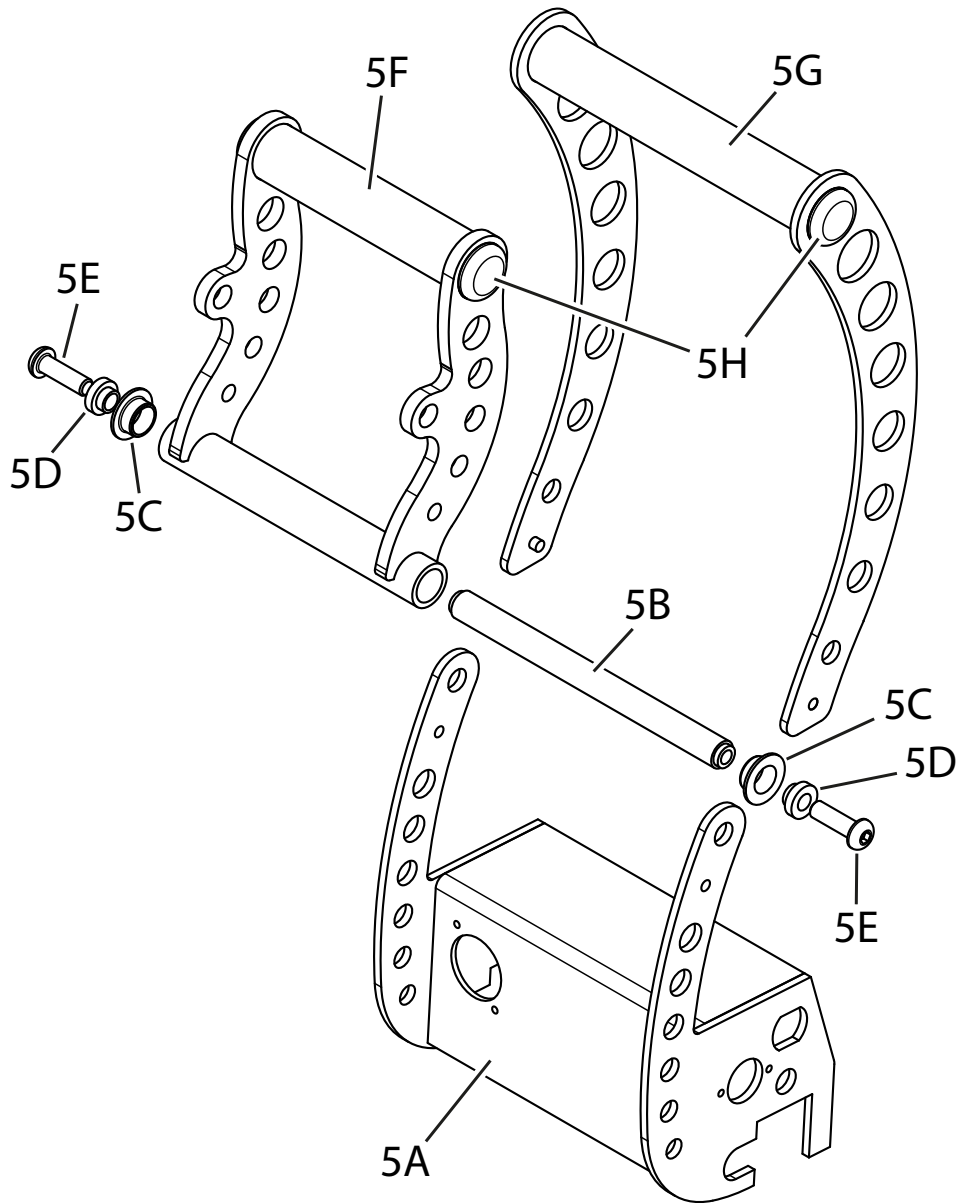
Pos	Article no.	Description
3A	350407	Mounting kit (2012-)
3B	MCG2008	Gas damper (2012-)

4. Covers



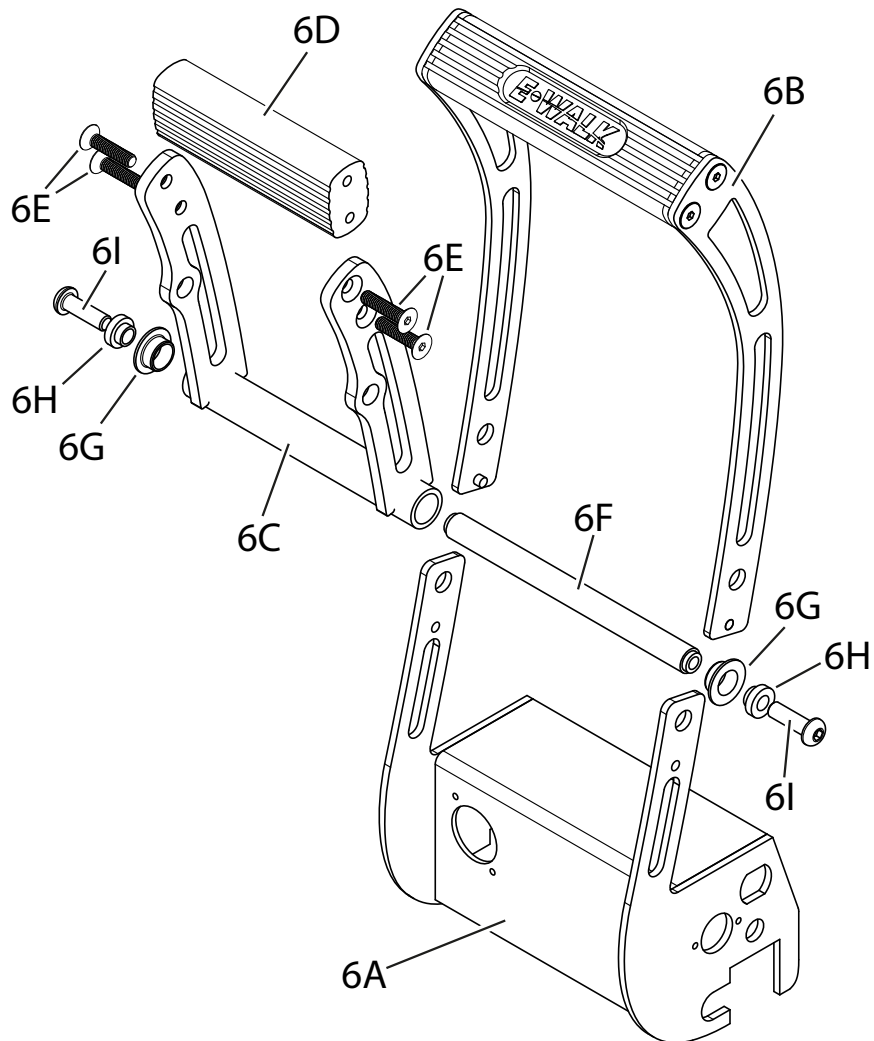
Pos	Article no.	Description
4A	351110	Low Cover (LiFePO ₄ , 2024-10-)
4B	350252	Low cover (LiFePO ₄ , -2024-09)
4C	350250	High cover (lead acid battery)

5. Handle -2024-09



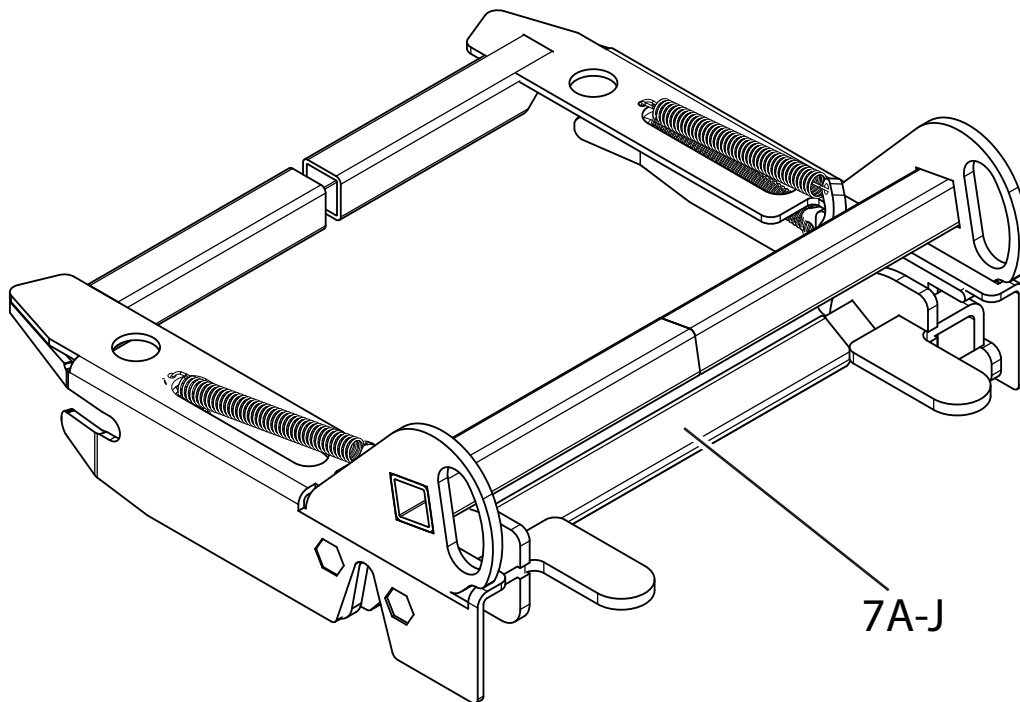
Pos	Article no.	Description
5A	350225	Handle cover
5B	350293	Axis
5C	GFM1012-06	Busing
5D	100 400 020	Distance
5E	XSM6X25	Screw M6 x 25
5F	350313	Lifting handle
5G	380002	Extended lifting handle
5H	SFL 20	Plug

6. Handle 2024-10-



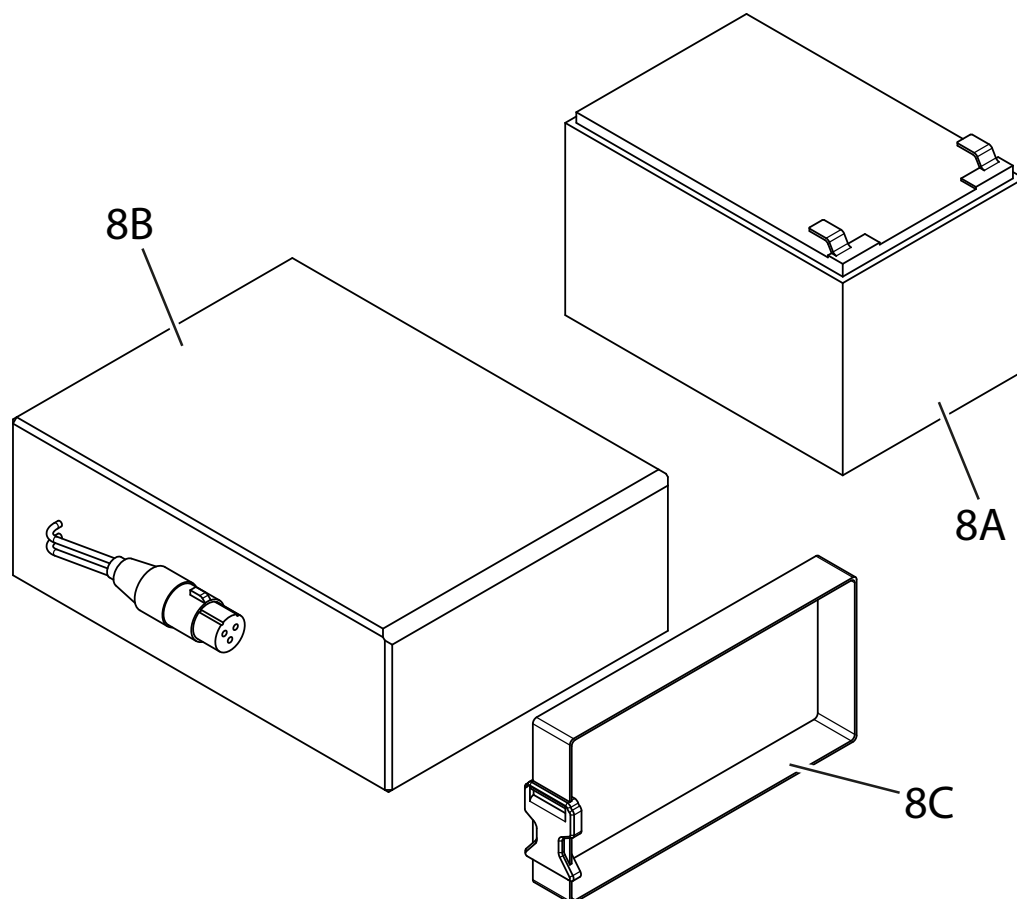
Pos	Article no.	Description
6A	351100	Handle cover
6B	351103	Upper handle
6C	351106	Handle attachment
6D	351109	Lower handle
6E	XSFM5X22-B	M5 x 22 Screw, countersunk
6F	350923	Axis
6G	GFM1012-06	Busing
6H	100 400 020	Distance 12 x 6 x 6
6I	XSM6X20	M6 x 20 Screw, hex, rounded
6J	350921	Cable for charger, LiFePO4 battery (male)
6K	MC6SM3X8	M3 x 8 Screw, slot
6L	351054	Controller cable

7. Side piece



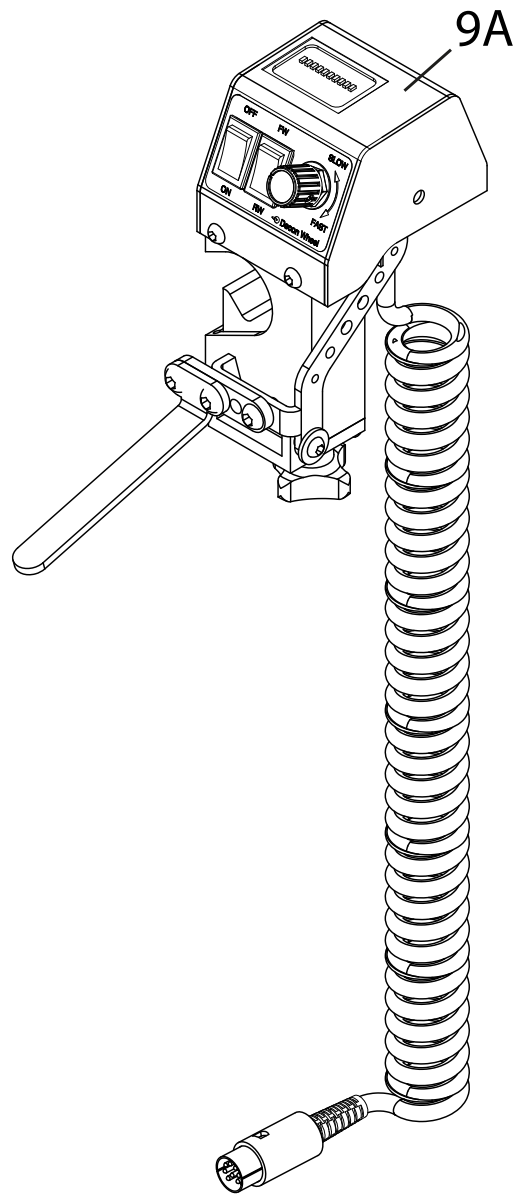
Pos	Article no.	Description
7A	350160A	Side piece "Type A" (left)
7B	350155A	Side piece "Type A" (right)
7C	350165A	Side piece "Type A" (complete set)
7D	350160B	Side piece "Type B" (left)
7E	350155B	Side piece "Type B" (right)
7F	350165B	Side piece "Type B" (complete set)
7G	350160C	Side piece "Type C" (left)
7H	350155C	Side piece "Type C" (right)
7I	350165C	Side piece "Type C" (complete set)
7J	391165	Side piece "Special" (complete set)

8. Battery



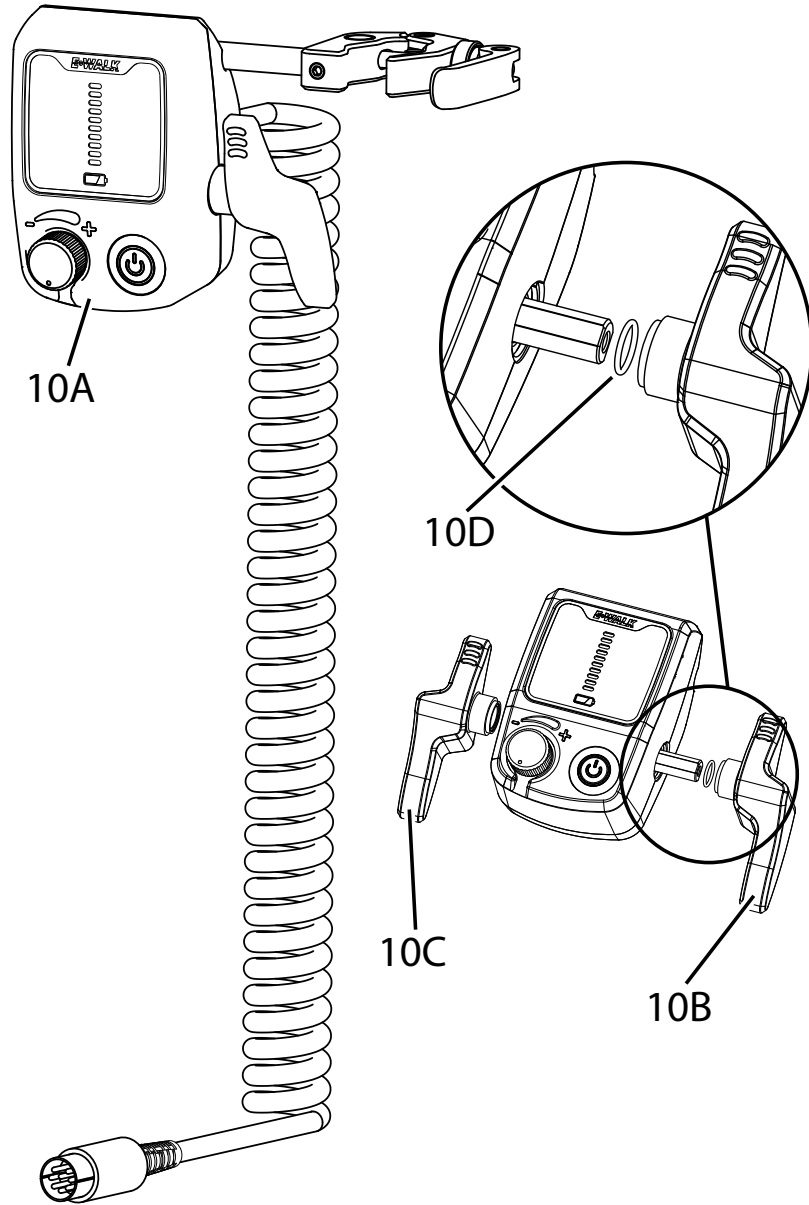
Pos	Article no.	Description
8A	MCG2001	Lead-acid battery 12V 12 Ah (2 in series required)
8B	MCG2015	LiFePO ⁴ 24V 15Ah
8C	11046-001	Battery strap Fasty (W20mm, L700mm)

9. Controller -2024-09



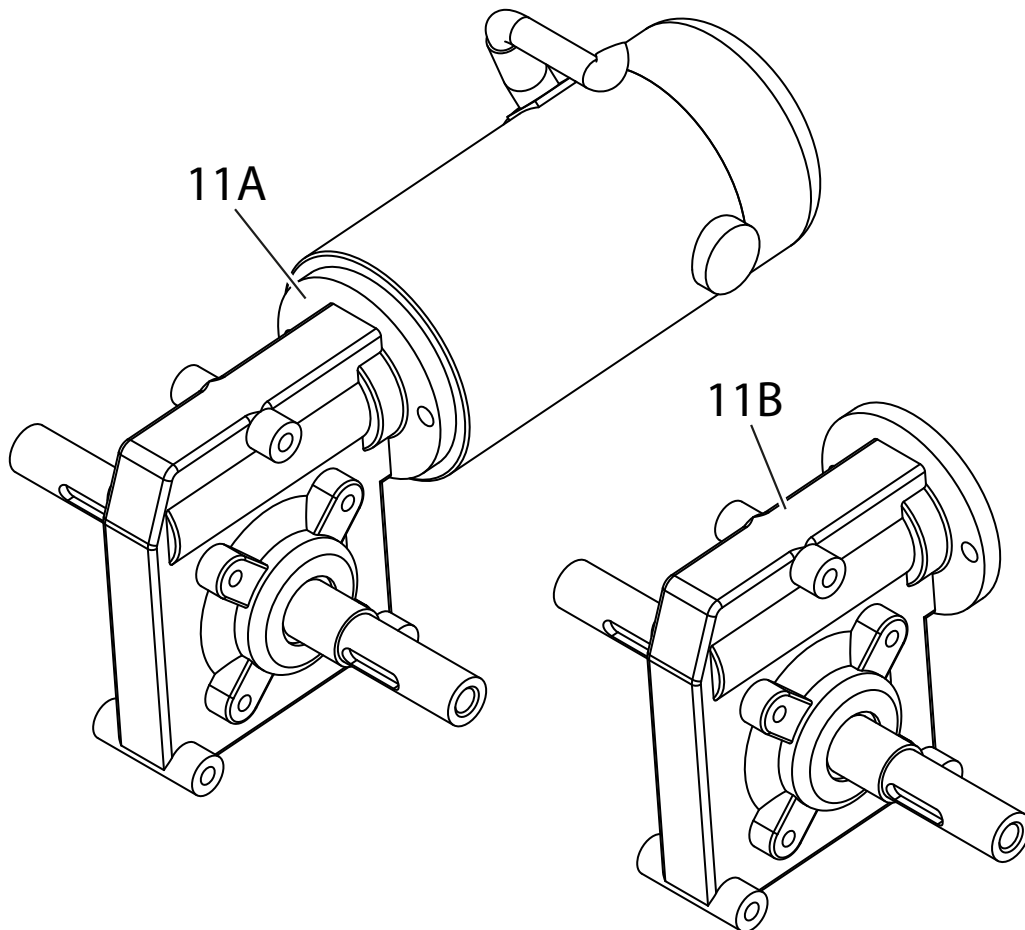
Pos	Article no.	Description
9A	MCG2003-1	Controller (-2024-09)

10. Controller 2024-10-



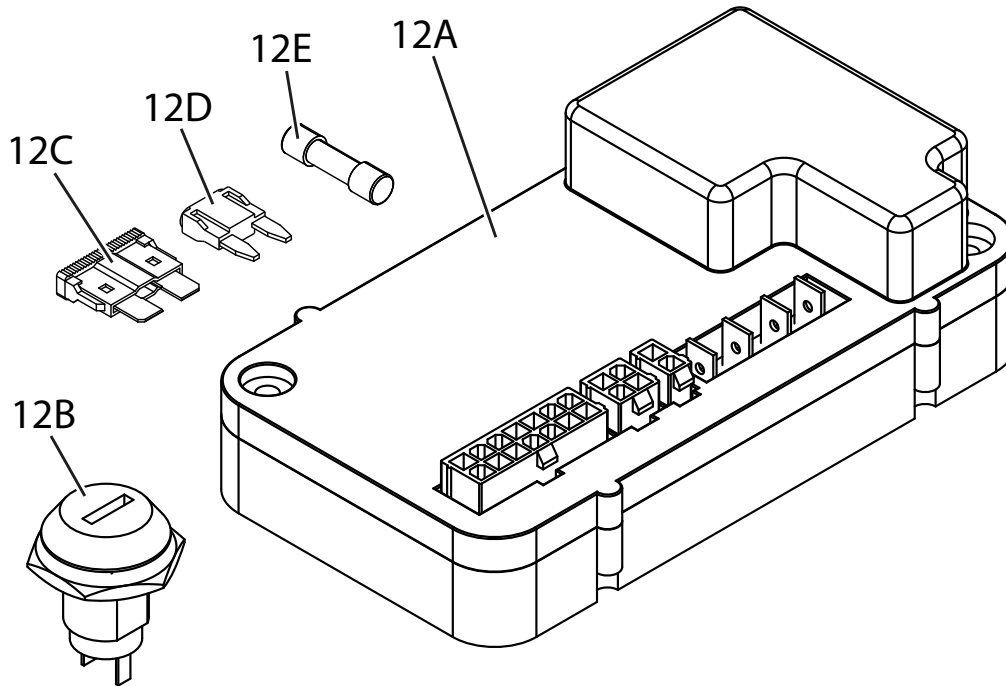
Pos	Article no.	Description
10A	MCG3000	Controller (2024-10-)
10B	351006R	Controls (right)
10C	351006L	Controls (left)
10D	351012	O-Ring (shaft - controller)

11. Motor / Transmission



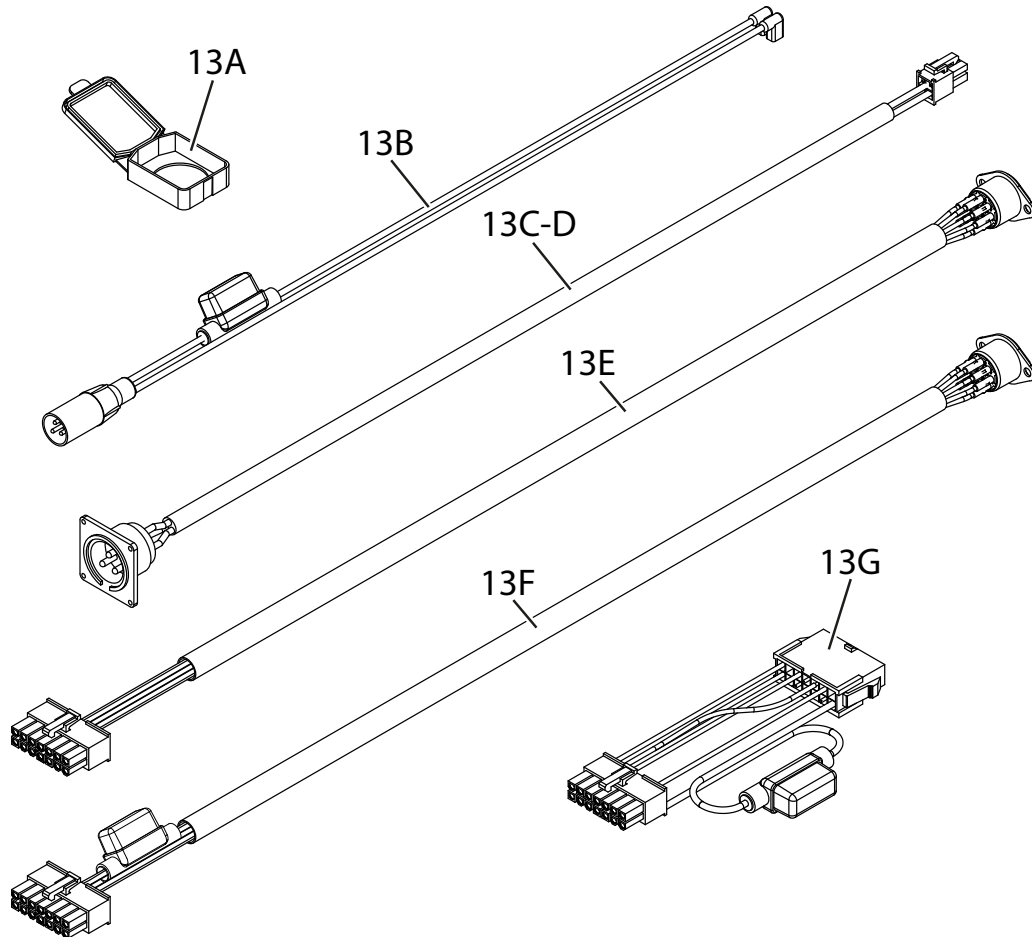
Pos	Article no.	Description
11A	350500	Motor (Complete with bevel gear)
11B	350499	Angle gear

12. Electronics



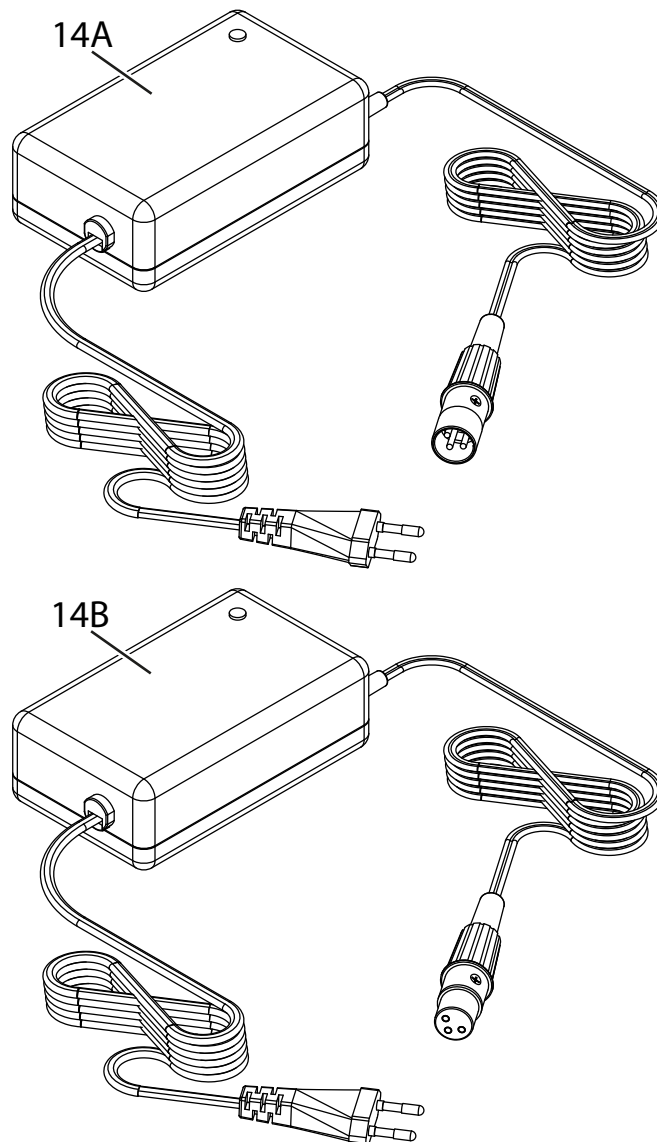
Pos	Article no.	Description
12A	MCG2006	S-Drive
12B	35-044-53	Lock
12C	994-3455	Fuse Drive (25A)
12D	FLP7002	Fuse Controller 2024-10-(2A)
12E	0034.1523	Fuse Controller -2024-09 (5A)

13. Cabling



Pos	Article no.	Description
13A	139-0146	Cover cap
13B	350930	Cable between battery and S-Drive
13C	350920	Cable between charging socket and S-Drive (when using lead-acid battery)
13D	350921	Cable between charging socket and S-Drive (when using LiFePO ⁴)
13E	350910	Cable between Controller and S-Drive (-2024-09)
13F	351054	Cable between Controller and S-Drive (2024-10-)
13G	351055	Cable adapter between 350910 and S-Drive (when new Controller is used on E-Walk manufactured -2024-09)

14. Chargers



Pos	Article no.	Description
14A	MCG2002	Battery charger (Lead battery)
14B	MCG2016	Battery charger (LiFePO ⁴)

Decon Wheel AB
Södra Ekeryd 119, 314 91 Hyltebruk
Tel: +46 (0)345 40880
Fax: +46 (0)345 40895
E-mail: info@decon.se

