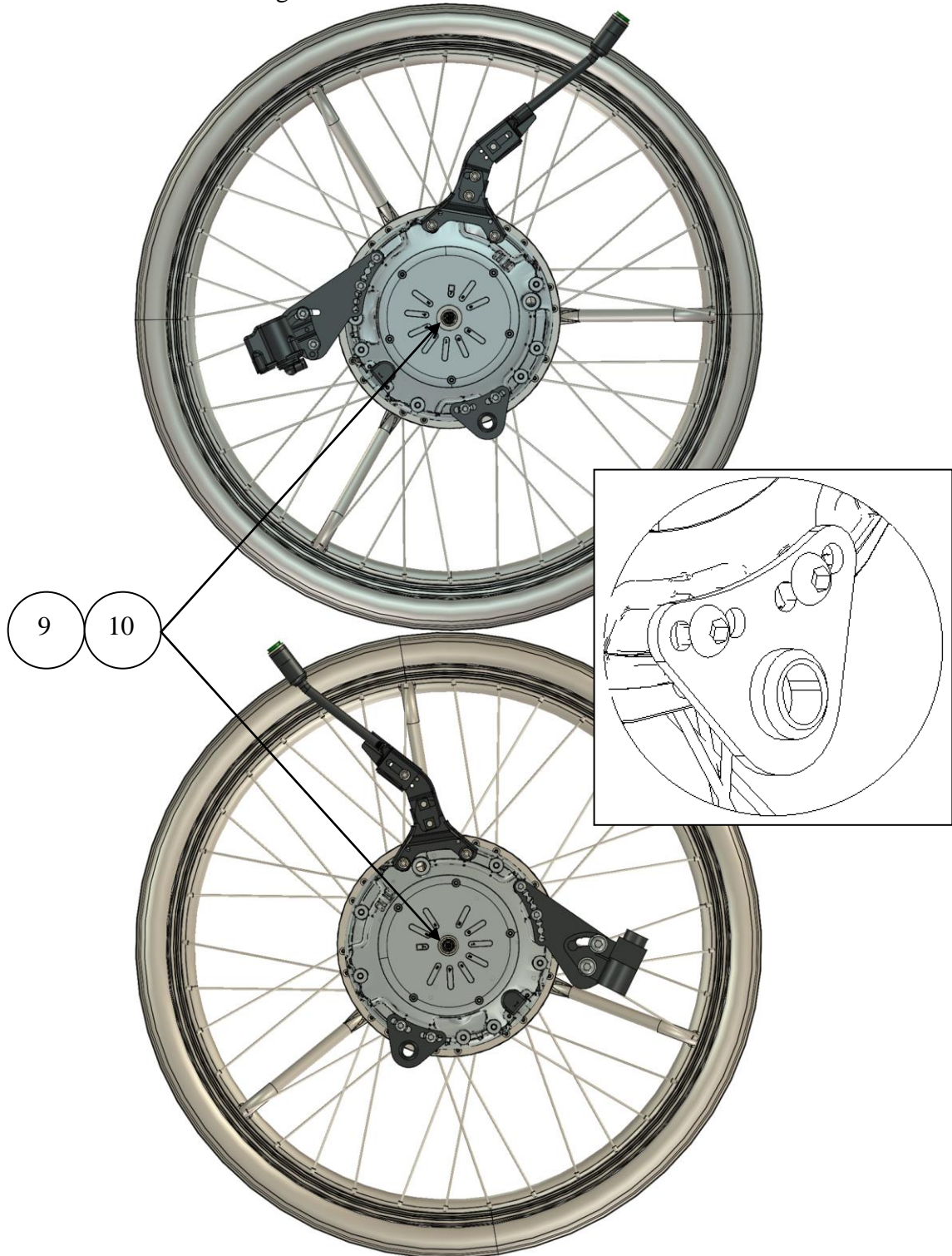


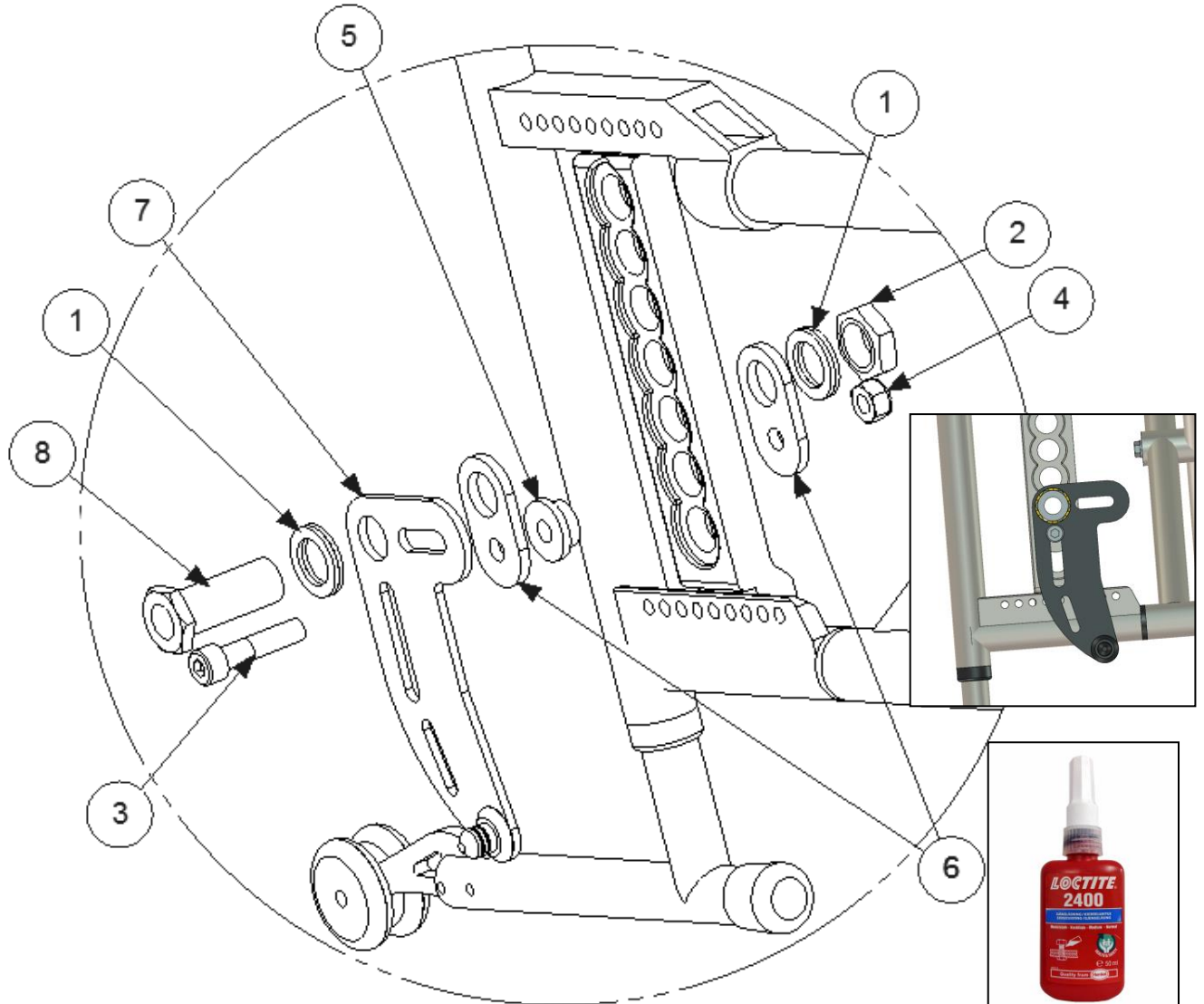
decon wheel

Assembly instructions for Meyra X3 -3.352, -4.352 MEM6177 and MEM6178

1. Remove wheels and original hub sleeves.



2. Check the correct placement for the eMove and that it have the axle 12,7-51 with Part number: X0E-2530E-C0 and the spacer Part Number: X0E-25383-00.



3. Assemble the plate (right side) according to pictures.
4. Parts pair mounting set:

Item No.	Part Number	Qty	Description
1	405239	2	Nordlock bricka
2	XSM16M	1	Mutter M16
3	XSM8X35	1	Screw : Socket - M8 x 35
4	XSM8ML	1	Nut : Self-Locking - M8
5	100 400 038	1	Spacer
6	100 400 056	2	Spacer plate
7	XOE-22294-BO	1	Right Bracket
8	HW069	1	Hubsleever M16x1/12,7
9	XOE-25383-00	1	Spacer
10	93440-120520	1	Circlip

Note! If you only order the mounting set, the axle, axle spacer and the circlip **are not included**, for replacement see the service manual.

5. Assemble the back placed battery bag.