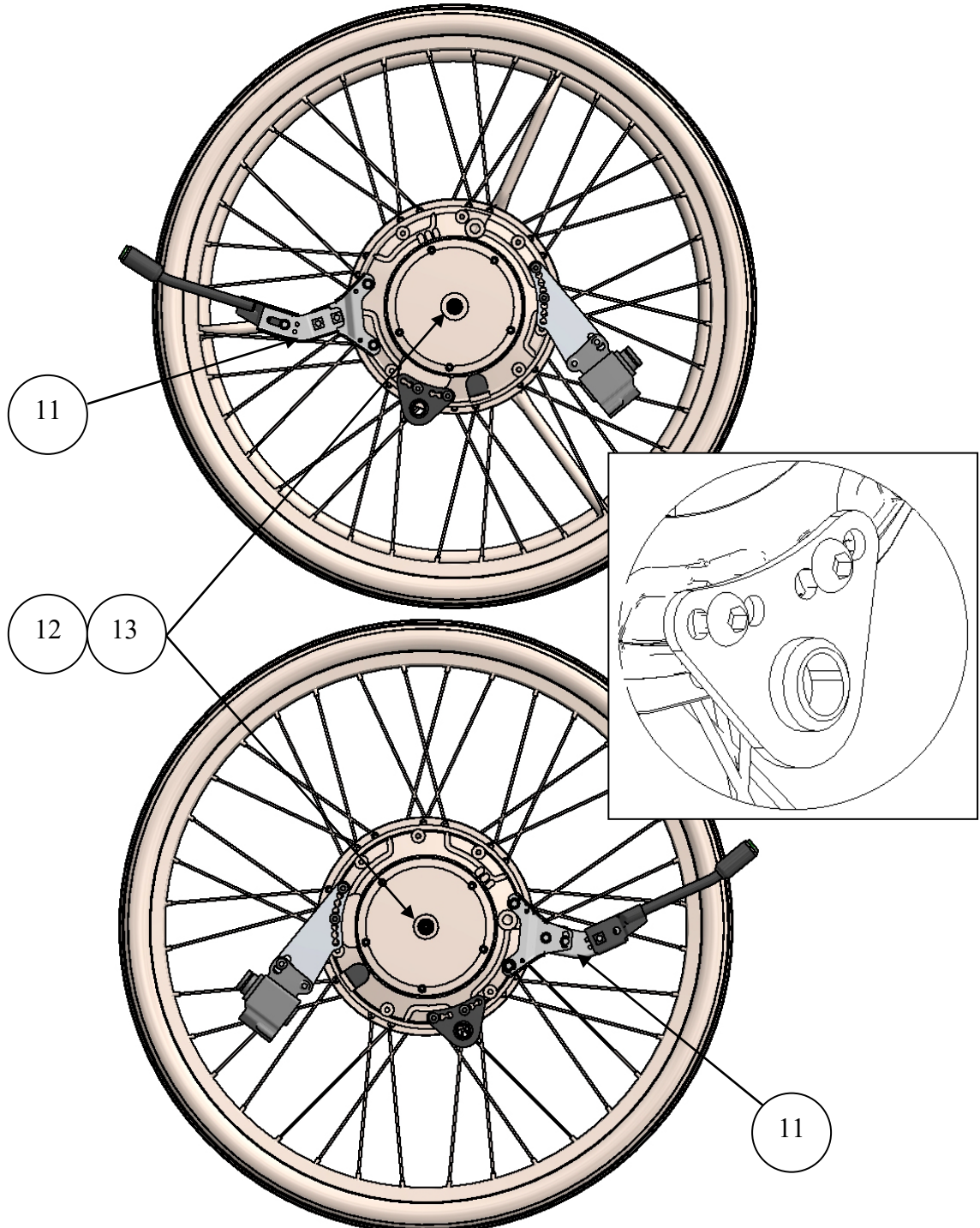
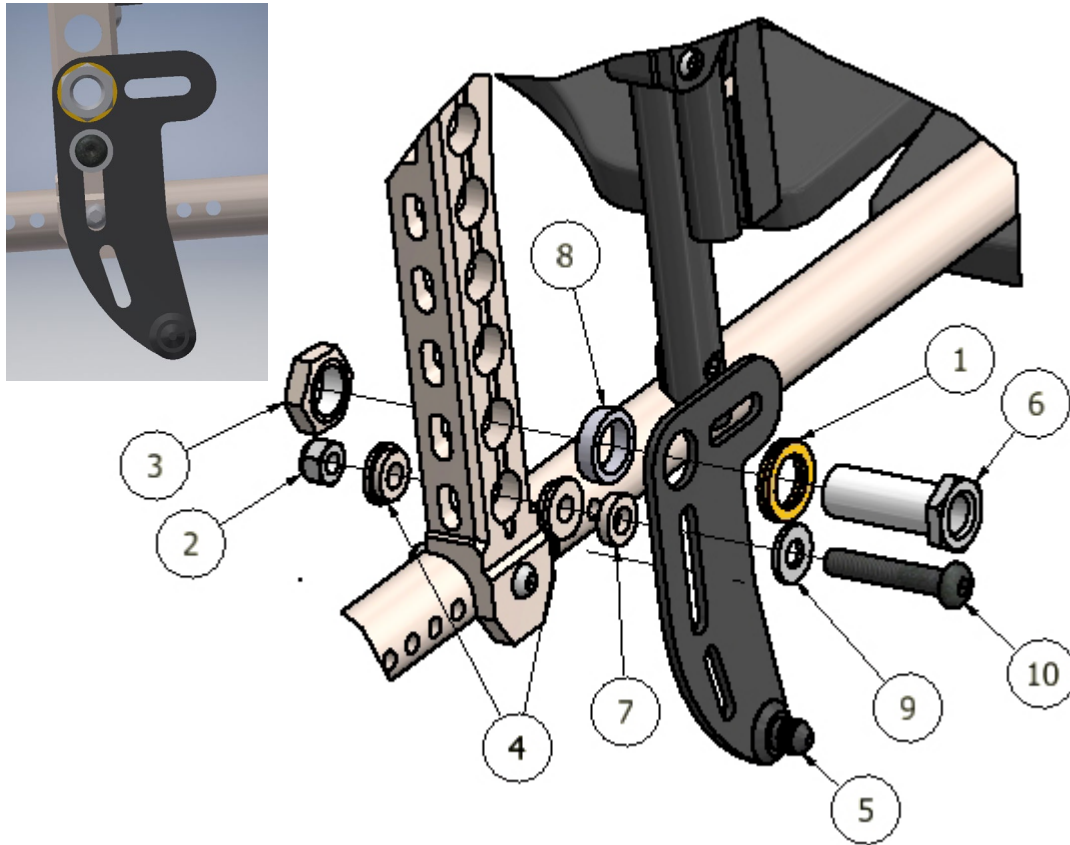


Assembly instructions for Action 5, MyOn HC. MEM6349 and MEM6350

1. Remove wheel and hub sleeve on both sides.



2. Check the correct placement for the eMove, and that it is axle $\text{\O}12,0 \times 51$ with part number: XOE-2530-B0 and Spacer with part number: XOE-25883-00.



3. Assembly of the plate according to pictures above.

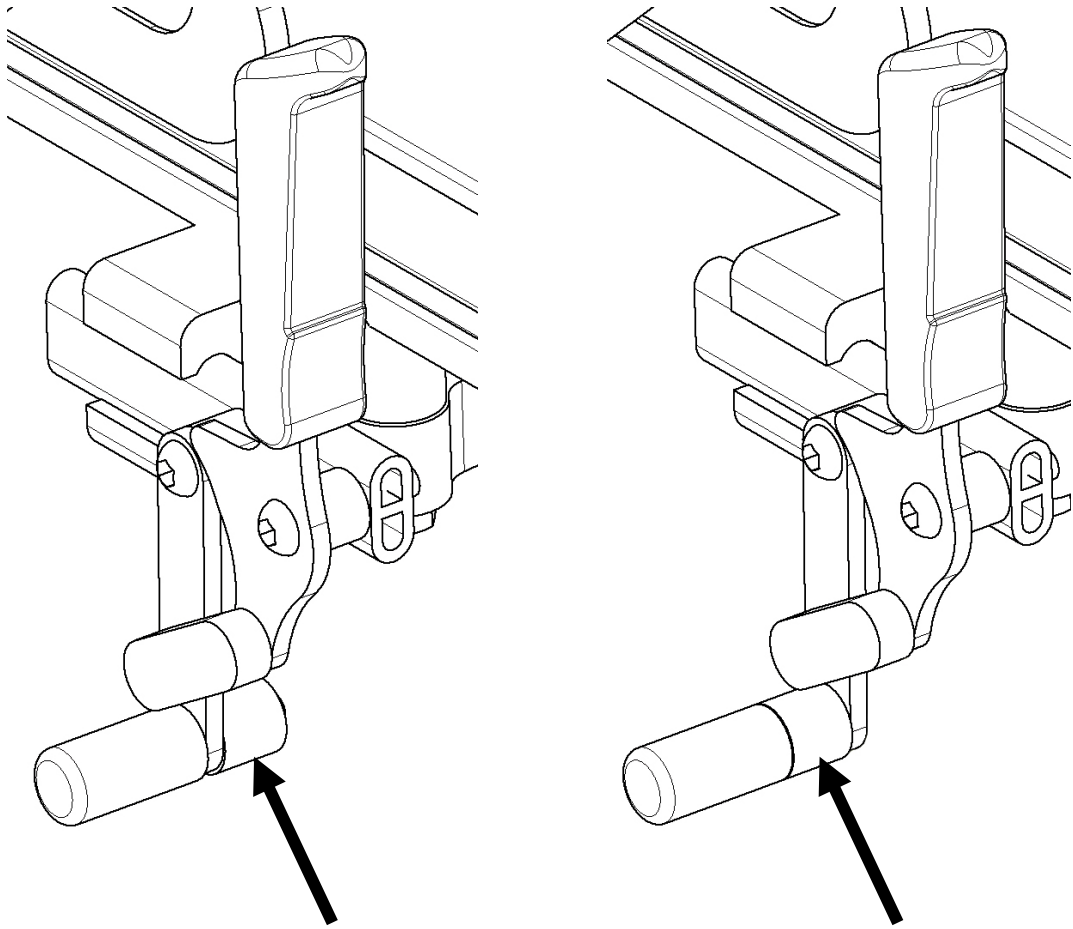
Parts for right side mounting:

ITEM	PART NUMBER	QTY	DESCRIPTION
1	405239	1	Nordlock Washer M16
2	XSM8ML	1	Nut Self-Locking M8
3	XSM16M	1	Mutter M16 l虎
4	100 400 007	2	Spacer
5	XOE-22294-BO	1	Bracket
6	HW063	1	Sleeve
7	100 400 001	1	Spacer
8	100 400 005	1	Spacer
9	XSM8BR	1	Washer Plain M8
10	XSM8X45	1	Screw Rounded M8 x 45
11	XOE-46383-10	1	Angle bracket (b)
12	XOE-25383-00	1	Spacer 12
13	93440-120520	1	Circlip

Note! If you only order the mounting set, the axle, angle bracket (b), axle spacer and the circlip **are not included**, for replacement see the service manual.

4. Assemble the back placed battery bag.

Brake adjustment



5. Move the spacer to the outside and adjust parking brake.