



# *Parts Catalog for E-Move*



2021-03

# Preface

This parts catalog lists parts and assemblies configuring E-Move (Power Assist Unit for Wheelchairs) which can be repaired. When ordering parts, please refer to the parts catalog and indicate the part number, part name, and quantity accurately. Please be careful to select the part name and number corresponding to the appropriate one. Assembly parts are indicated with (\*) in front of the component part name.

Information concerning new parts being brought out and parts being discontinued will be listed in the Service News and/or other documentation. Please update the parts catalog based on that information.

This catalog does not contain guidelines for assembling or renovating the unit. Please refer to the service manual when repairing the unit.

The tightening torque information is only the specimen for reference. Please refer to the service manual for details.

The repairing time is estimated ones when repaired by a skilled engineer, only for the reference.

The parts that do not have the model listed are common parts.

Unit Part Number	Model	Series Category
X0E-46304-A0	A24E2	A series
X0E-46307-A0	A24E2-S	
X0E-46304-P0	B22E2	B series
X0E-46307-P0	B22E2-S	
X0E-46307-B0	B24E2-S	
X0E-46306-D0	C24E-S	
X0E-46304-E0	D24E2	
X0E-46304-F0	E24E2	E series
X0E-46307-F0	E24E2-S	
X0E-46304-G0	F24E2	
X0E-46304-H0	G24E2	G series
X0E-46307-H0	G24E2-S	
X0E-46307-J0	H22E2-S	H series
X0E-46307-K0	H24E2-S	
X0E-46304-L0	J24E2	J series
X0E-46307-L0	J24E2-S	

# Contents

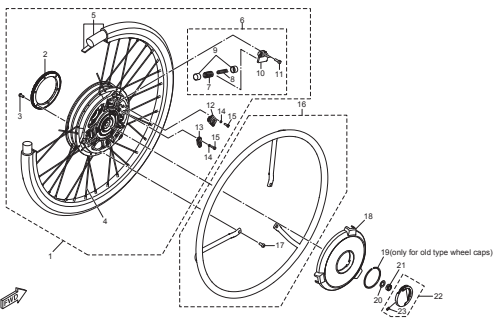
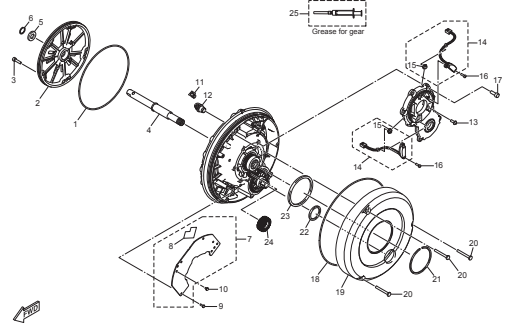
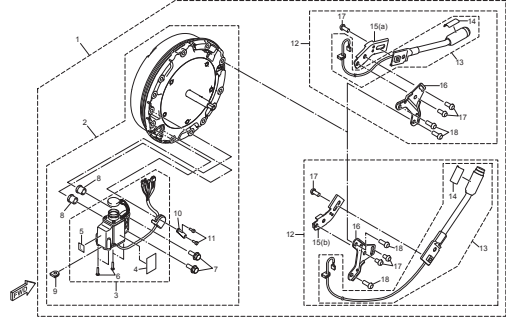
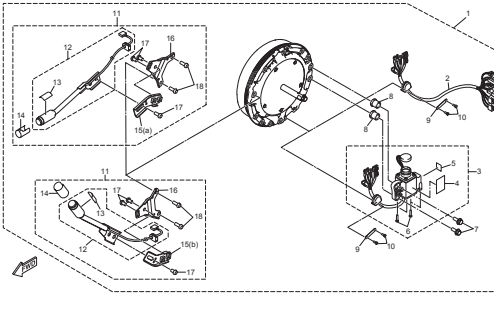
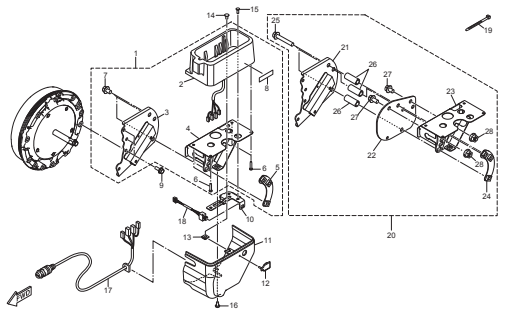
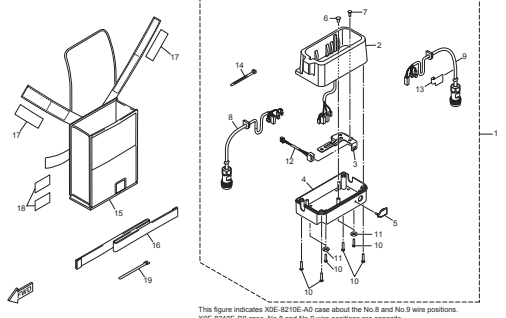
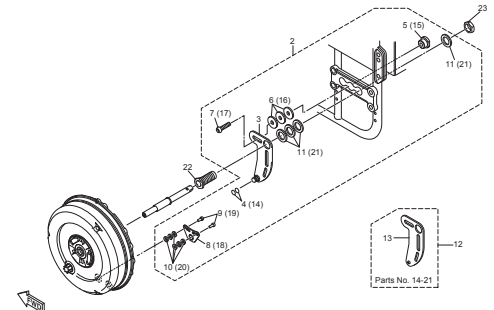
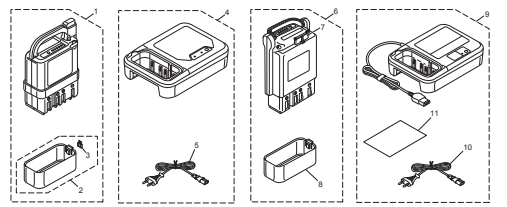
<p>1. Wheel ..... P.1</p> 	<p>2. Drive unit L/R common parts ..... P.5</p> 	<p>3. Left unit fitting parts ..... P.7</p> 
<p>4. Right unit fitting parts ..... P.9</p> 	<p>5. Battery Seat 1 ..... P.11</p> 	<p>6. Battery Seat 2 ..... P.13</p>  <p><small>The figure indicates XOE-8216E-80 case about the No.8 and No.9 wire positions. XOE-8210E-80 case, No.8 and No.9 wire positions are opposite.</small></p>
<p>7. Torque stopper (Only for the specified models) ..... P.15</p> <p><small>1: Parts Set, consist of No.2 &amp; No.12 (Left and right bracket Set)</small></p> 	<p>8. Battery and charger ..... P.17</p> 	

FIG. 1 Wheel

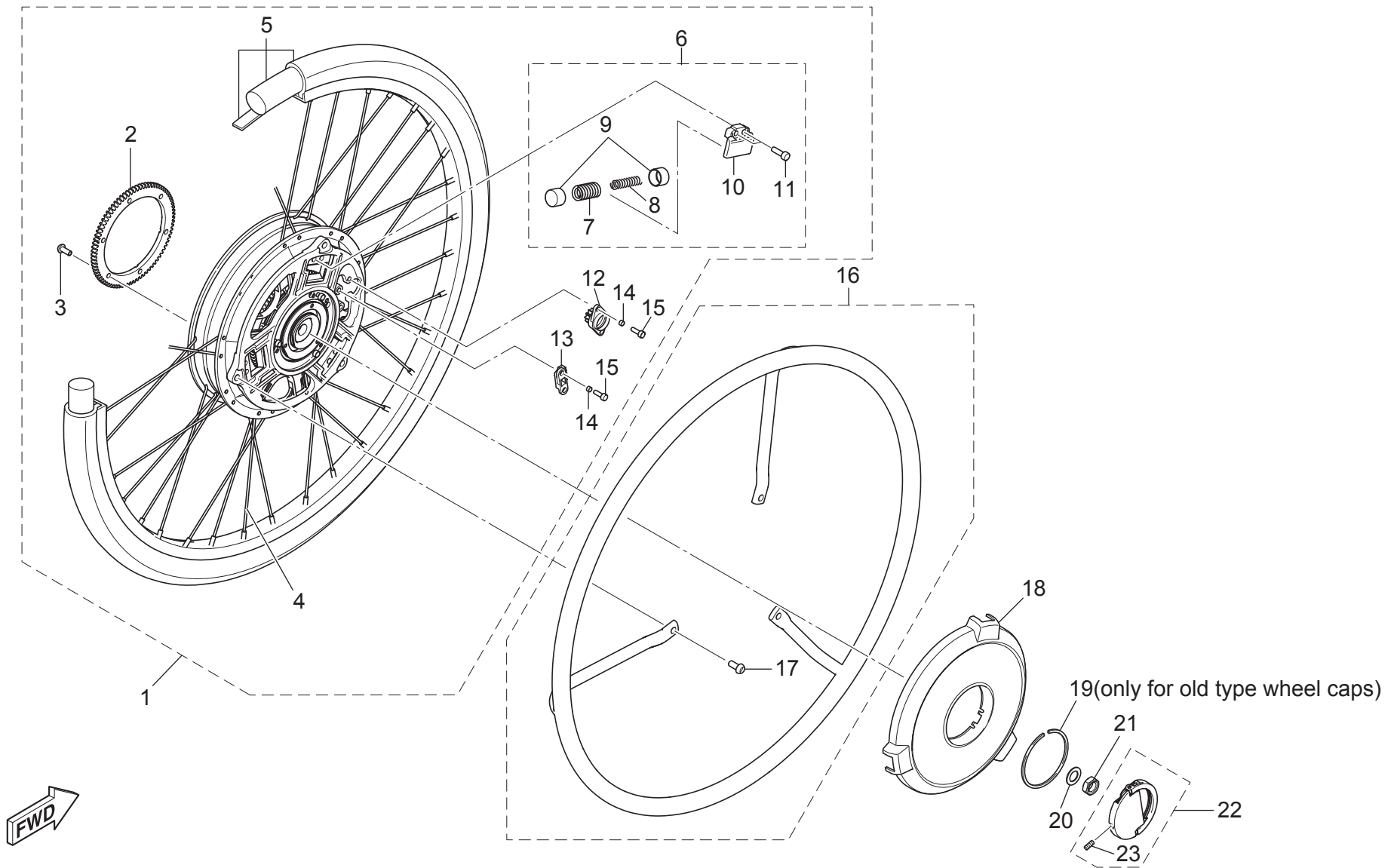


FIG. 1 Wheel

No.	Part Number	Part Name	Qty.	Application	Detail	Repairing time
1	X0E-2532N-A0	Left wheel assembly	1	B22E2, B22E2-S, H22E2-S	22 inch left wheel assembly, with 2 spring sets	0.2
	X0E-2532N-B0			A series, B24E2-S, C24E-S, D24E2, E series, F24E2, G series, H24E2-S, J series	24 inch left wheel assembly, with 2 spring sets, need to remove 1 set for C24E-S	
	X0E-2533N-A0	Right wheel assembly	1	B22E2, B22E2-S, H22E2-S	22 inch right wheel assembly, with 2 spring sets	
	X0E-2533N-B0			A series, B24E2-S, C24E-S, D24E2, E series, F24E2, G series, H24E2-S, J series	24 inch right wheel assembly, with 2 spring sets, need to remove 1 set for C24E-S	
2	X0E-46328-00	• Gear 3, wheel	1			
3	92017-05012	• Bolt, hexagon socket button	6		To secure Gear wheel 3 (No.2). Tightening torque: 6.8 - 9.5 Nm	
4	X0E-25304-00	• Rear spoke set	1	B22E2, B22E2-S, H22E2-S	For 22 inch normal tire models. 36 spokes and 36 nipples	1.2
	X0E-25304-10			A series, B24E2-S, C24E-S, D24E2, E series, F24E2, G series, H24E2-S, J series	For 24 inch wheel. 36 spokes and 36 nipples.	
5	XA4-25308-G0	• Rear tire set	1	B22E2, B22E2-S, H22E2-S	22 inch normal tire, tube and rim band.	
	XA4-25308-H0			A series, B24E2-S, C24E-S, D24E2, E series, F24E2, G series, H24E2-S, J series	24 inch normal tire, tube and rim band.	
6	X0E-W2537-A0	• Spring set	1	C24E-S	Need to adjust Retainer (No.10) position when assembling. See service manual.	0.5
			2	A series, B series, D24E2, E series, F24E2, G series, H series, J series		
7	XA3-25357-50	•• Spring 1, lever return	1	C24E-S	Outer thick short spring. See service manual.	
			2	A series, B series, D24E2, E series, F24E2, G series, H series, J series		
8	X0E-25358-00	•• Spring 2, lever return	1	C24E-S	Inner thin long spring. See service manual.	
			2	A series, B series, D24E2, E series, F24E2, G series, H series, J series		
9	XA3-2531A-00	•• Stopper, damper	2	C24E-S	Plastic spring cap	
			4	A series, B series, D24E2, E series, F24E2, G series, H series, J series		
10	X0E-2536A-01	•• Retainer	1	C24E-S	Aluminum spring cover. Need to adjust when assembling. See service manual.	
			2	A series, B series, D24E2, E series, F24E2, G series, H series, J series		
11	91312-05016	•• Bolt, hexagon socket head	2	C24E-S	To secure Retainer. Tightening torque: 6.0 - 9.5 Nm See service manual.	
			4	A series, B series, D24E2, E series, F24E2, G series, H series, J series		
12	X0E-25364-00	• Damper	1			
13	X0E-86152-00	• Arm, moving	1			

Qty. column indicates the quantity for the one side wheel

No indication of application column means common part for all variations

FIG. 1 Wheel

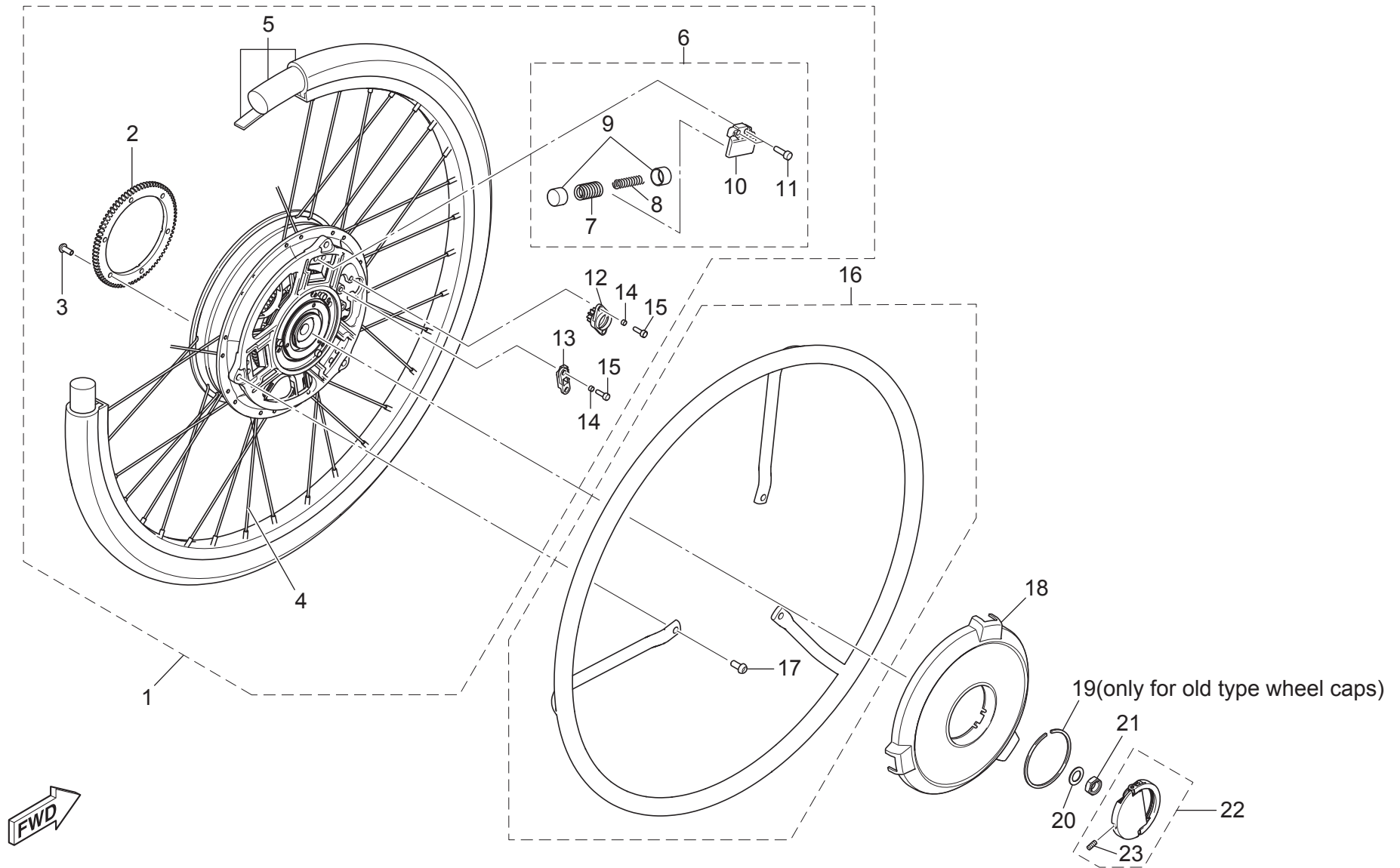


FIG. 1 Wheel

No.	Part Number	Part Name	Qty.	Application	Detail	Repairing time
14	X0E-86535-00	• Collar	4		To secure Damper (No.12) and Arm (No.13).	
15	91317-04012	• Bolt, hexagon socket head	4		To secure Damper (No.12) and Arm (No.13). Tightening torque: 3.0 - 5.0 Nm	
16	X0E-2255A-00	Pipe assembly 1	1	B22E2, B22E2-S, H22E2-S (Selection)	22 inch stainless steel handrim with 3 assembling bolts (No.2)	0.2
	X0E-2255A-50				22 inch plastic coated handrim with 3 assembling bolts (No.2)	
	X0E-2255A-10				24 inch stainless steel handrim with 3 assembling bolts (No.2)	
	X0E-2255A-60				24 inch plastic coated handrim with 3 assembling bolts (No.2)	
17	90111-06022	• Bolt, hexagon socket button	3		To secure Pipe assembly 1. Tightening torque: 9.0 - 12.0 Nm. Not reusable.	
18	X0E-2530B-C1	Wheel cap assembly	1	C24E-S	For specified models	0.1
	X0E-2530B-D1			D24E2, E series, G series	Silver, without label	
	X0E-2530B-E1			F24E2	For specified models	
	X0E-2530B-F1			A series	For specified models	
	X0E-2530B-G1			B series, J series	Black, without label	
	X0E-2530B-H1			H series	For specified models	
19	X0E-2536E-00	Clip, spring	1		C clip spring to secure only old type Wheel cap assemblies	
20	90201-12049	Washer, plain	1			
21	90185-12008	Nut, self locking	1		To secure Rear wheel assembly (Fig. 1 No.1). Tightening torque: 25 - 35 Nm. Not reusable.	
22	X0E-25350-01	Plate assembly	1		Handle plate for the unit detaching	0.1
23	92A08-03012	• Screw, set	1		To secure the Plate assembly thread. Tightening torque: 0.8 - 1.1 Nm	

Qty. column indicates the quantity for the one side wheel  
 No indication of application column means common part for all variations



FIG. 2 Drive unit L/R common parts

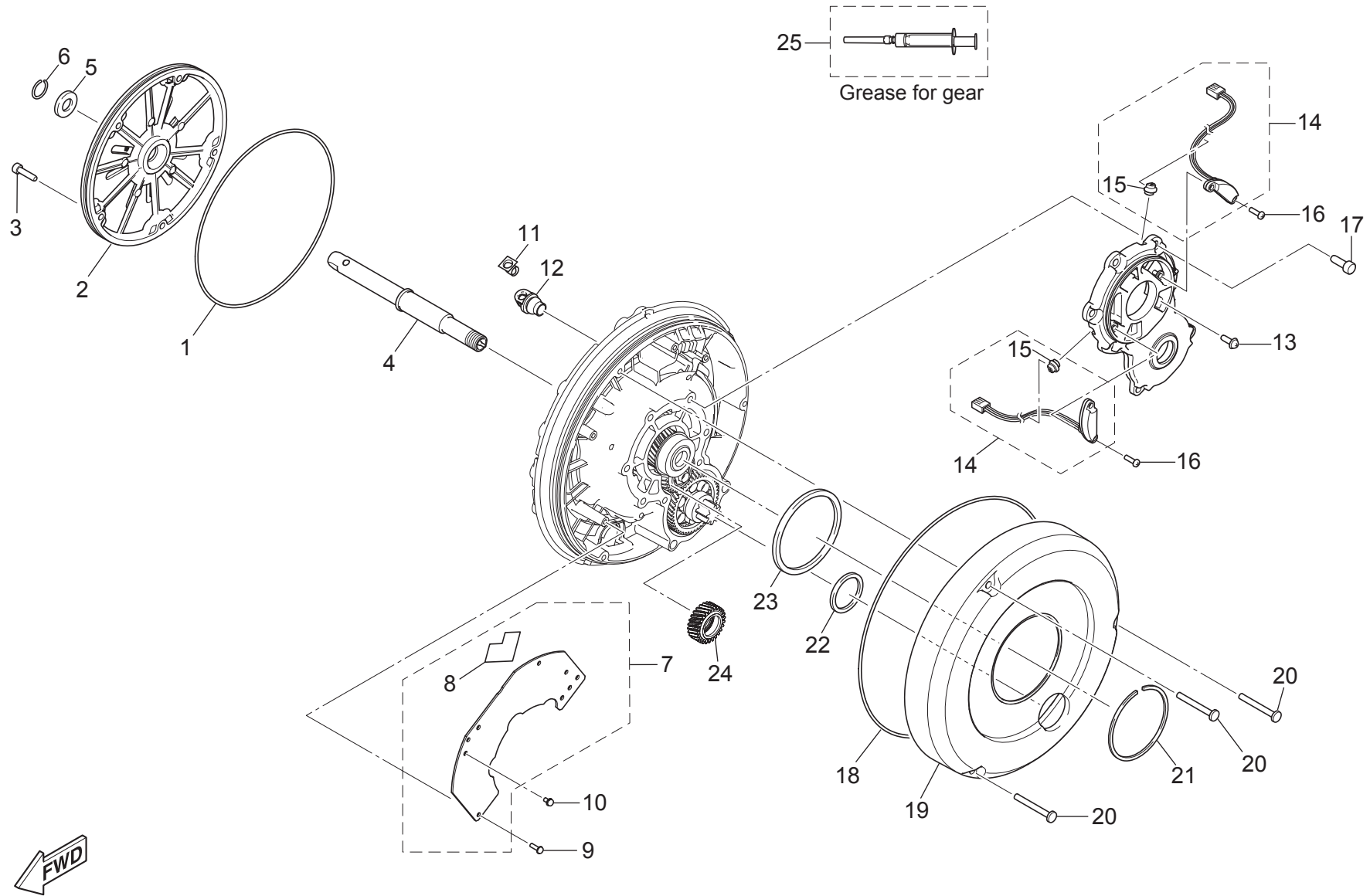




FIG. 2 Drive unit L/R common parts

No.	Part Number	Part Name	Qty.	Application	Detail	Repairing time
1	X0E-176F4-01	O-ring	1		For Housing assembly (No.2)	0.5
2	X0E-17810-00	Housing assembly	1	A series B24E2-S, D24E2, F24E2, G series,	Unit back plate with radial ribs, painted. Axle hole diameter: 12.7mm	0.5
	X0E-17810-10			C24E-S, E series	Unit back plate with radial ribs, painted. Axle hole diameter: 12.0mm	
	X0E-17810-01			A series B series, D24E2, F24E2, G series, H series, J series	Unit back plate flat aluminum surface. Axle hole diameter: 12.7mm	
	X0E-17810-11			C24E-S, E series	Unit back plate flat aluminum surface. Axle hole diameter: 12.0mm	
3	91312-04016	Bolt, hexagon socket head	5		To secure Housing assembly (No.2). Tightening torque: 3.0 - 5.0 Nm	
4	X0E-2530E-00	Rear axle assembly	1	G series	Detachable axle shaft $\phi 12.7 \times L46.0$	0.5
	X0E-2530E-A0			B series, F24E2, H series, J series	Detachable axle shaft $\phi 12.7 \times L55.5$	
	X0E-2530E-B0			C24E-S, E series	Detachable axle shaft $\phi 12.0 \times L51.0$	
	X0E-2530E-C0			A series, D24E2,	Detachable axle shaft $\phi 12.7 \times L51.0$	
5	X0C-25383-00	Collar, wheel shaft	1	A series, D24E2	5mm thickness spacer washer	
6	93440-12052	Circlip	1	A series, D24E2	To secure Collar, wheel shaft (No.5)	
7	X0E-W8592-A1	Print board assembly 1	1	H22E2-S	Main electric board with heat releasing seat for 22inch model	
	X0E-W8592-B1			A series, B series, C24E-S, D24E2, E series, F24E2, G series, H24E2-S, J series	Main electric board with heat releasing seat for 24inch model	
8	X0E-85753-00	• Gasket	1		Gray heat releasing plastic seat, between Print board and unit housing	
9	97607-03210	Screw, pan head with washer	4		Black screw, to secure Print board (No.5) to unit casing. Tightening torque: 0.4 - 0.6 Nm	
10	97602-03306	Screw, pan head with washer	5		Metal plated screw, to connect wire terminals to Print board. Tightening torque: 0.4 - 0.6 Nm	
11	XA3-8252K-00	Lens	1		LED lens	0.1
12	XA3-82545-00	Grommet	1		For Lens (No.9)	0.1
13	98580-04006	Screw, pan head (+)	1		Grease filling hole plug. Tightening torque: 2.0 - 3.0 Nm	
14	X0E-83688-00	Sensor assembly	2			
15	X0E-8358X-00	• Grommet	2		Sensor wire seal	
16	98580-03010	Screw, pan head	4		To secure Sensor assembly (No.12). Tightening torque: 0.4 - 0.6 Nm	
17	91312-05014	Bolt, hexagon socket head	7		To secure gear cover case to unit housing. Tightening torque: 6.0 - 9.5 Nm. Keep tightening order.	
18	X0E-46136-01	Seal 1	1		O-ring for Transparent Cover (No.17)	
19	X0E-46313-00	Cover, transmission	1		Transparent plastic cover	0.2
20	98902-04035	Screw	3		To secure Transparent Cover. Tightening torque: 1.5 - 2.5 Nm	
21	X0E-45319-00	Clip	1		C clip spring to secure only old type Transparent Cover	
22	X0E-42721-00	Gasket 1	1		Urethane flat O-ring, small	0.2
23	X0E-42722-00	Gasket 2	1		Urethane flat O-ring, large	0.2
24	X0E-15650-01	Gear, Idle assembly	1		Idle gear	
25	X0E-W2819-10	Grease set	1		Grease for gear	

Qty. column indicates the quantity for the one side wheel

FIG. 3 Left unit fitting parts

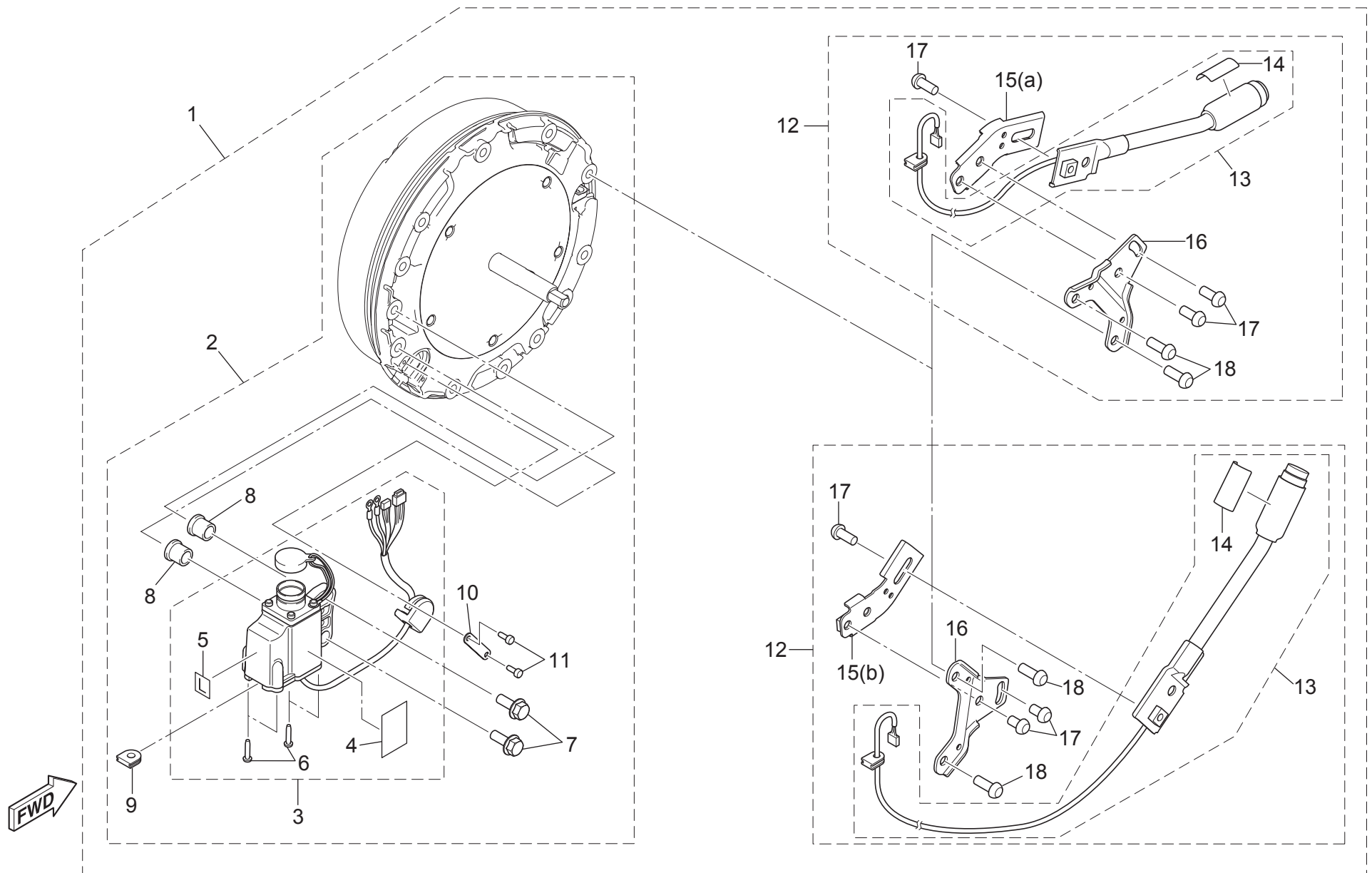


FIG. 3 Left unit fitting parts

No.	Part Number	Part Name	Qty.	Application	Detail	Repairing time
1	X0E-463A1-A3	Drive unit, left	1	H series	Drive unit with Wire harness Assembly (No.3, receptacle) and Shift assembly (No. 12, mode switch assembly)	
	X0E-463A1-A8			B series		
	X0E-463A1-A9			F24E2, J series		
	X0E-463A1-B3			E series, C24E-S		
	X0E-463A1-C3			A series, D24E2		
	X0E-463A1-D2			G series		
2	X0E-463A3-A1	Drive unit base, left	1	H22E2-S	Drive unit with Wire harness Assembly (No.3, receptacle)	0.5
	X0E-463A3-E1			B series, F24E2, H24E2-S, J series		
	X0E-463A3-F1			C24E-S, E series		
	X0E-463A3-G1			A series, D24E2		
	X0E-463A3-H1			G series		
3	X0E-W8595-A0	Wire harness Assembly	1		Coupler box and wire assembly	0.5
4	X0E-81994-A0	• Label, safety	1		Warning label	
5	X0E-8A8R1-00	• Label 1	1		'L' label	
6	97707-30514	• Screw, pan head tapping	4		To secure Case to Coupler box bracket. Tightening torque: 0.6 - 0.8 Nm	
7	95817-06025	Bolt, flange	2		To secure Wire harness assembly to Unit housing. Tightening torque: 8.0 - 13.0 Nm	
8	90387-062M3	Collar	2			
9	90480-04610	Grommet	1	Models without Shift assembly 2	Rubber plug for coupler box bracket switch line hole	
10	X0C-83599-00	Guide, wire	1		To hold Coupler box wire	
11	91317-03008	Bolt, hexagon socket head	2		To secure Guide to Unit housing. Tightening torque: 0.4 - 0.7 Nm	
12	X0E-46340-B0	Shift assembly 2	1	C24E-S, D24E2, E series, G series,	Optional mode switch assembly with (a) type angle bracket (No.13)	0.3
	X0E-46340-A0			A series, B series, F24E2, J series, H series	with (b) type angle bracket (No.13)	
13	X0E-6831A-A0	• Switch sub-assembly	1		Mode switch main unit	0.4
14	X0E-82108-D0	• • Label	1		'MODE' label	
15	X0E-46383-00	• Lever 2, shift	1	C24E-S, D24E2, E series, G series	Angle bracket (a)	0.4
	X0E-46383-10			A series, B series, F24E2, J series, H series	Angle bracket (b)	
16	X0E-46396-00	• Arm, neutral	1			0.4
17	92017-06010	• Bolt, button head	3		To assemble switch, arm and lever. Tightening torque: 8.0 - 12.0 Nm	
18	92017-06016	• Bolt, button head	2		To fix arm neutral (No. 15) to drive unit. Tightening torque: 10.0 - 16.0 Nm	

FIG. 4 Right unit fitting parts

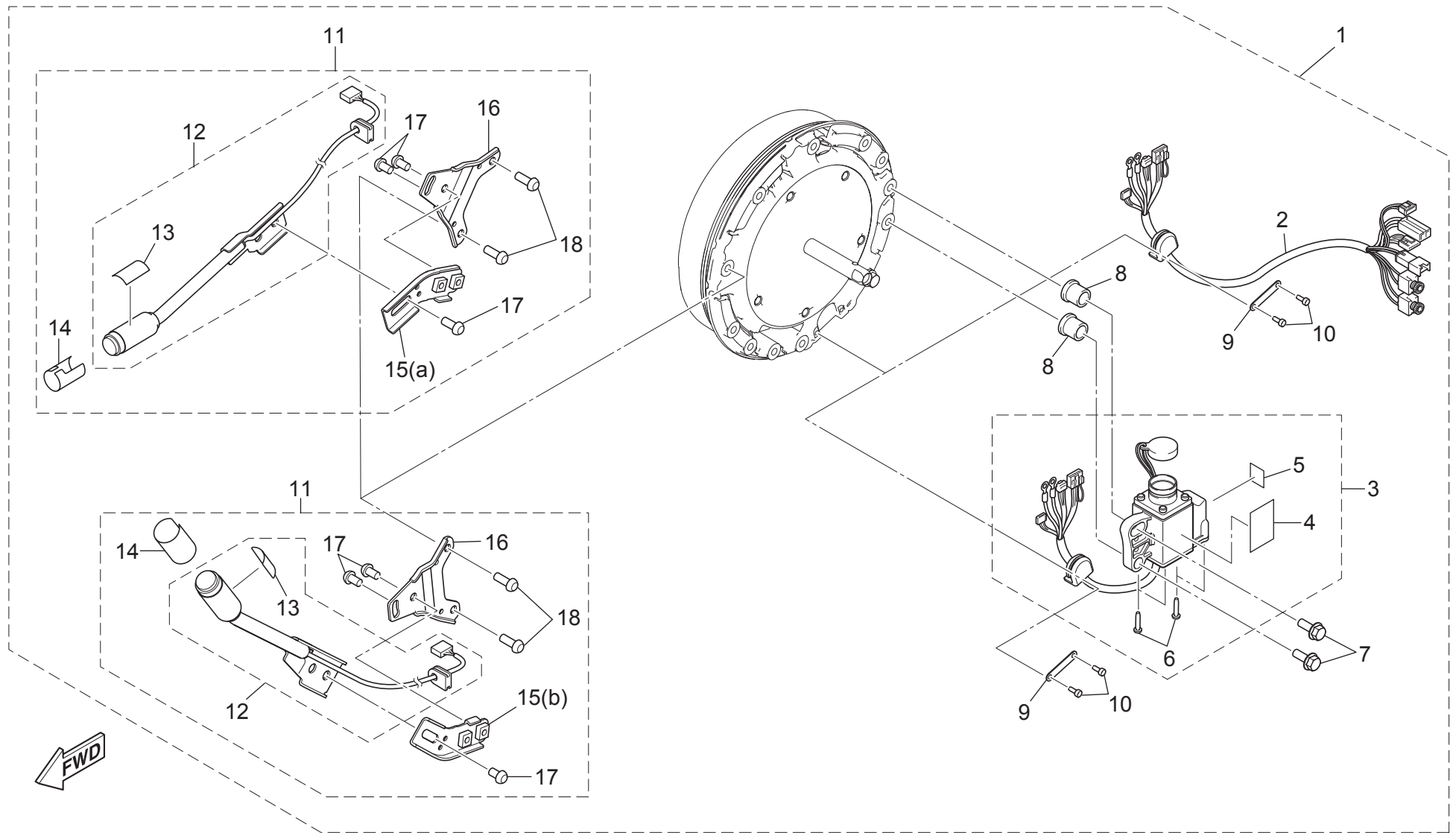


FIG. 4 Right unit fitting parts

No.	Part Number	Part Name	Qty.	Application	Detail	Repairing time
1	X0E-463A4-E1	Drive unit base 1, right	1	B22E2	Right side drive unit with power switch, without battery seat	0.5
	X0E-463A4-K1			E24E2		
	X0E-463A4-L1			D24E2		
	X0E-463A4-M1			G24E2		
	X0E-463A4-N1			F24E2, J24E2		
	X0E-463A4-R1			A24E2		
	X0E-463B4-E1	Drive unit base 2, right		B22E2-S, H22E2-S	Right side drive unit with power switch and receptacle	
	X0E-463B4-K1			C24E-S, E24E2-S		
	X0E-463B4-M1			G24E2-S		
	X0E-463B4-N1			B24E2-S, H24E2-S, J24E2-S		
X0E-463B4-R1	A24E2-S					
2	X0E-86526-00	Wire 6	1	A24E2, B22E2, D24E2, E24E2, F24E2, G24E2, J24E2	Connecting wire from battery seat to drive unit for the fixed battery seat models	0.4
3	X0E-W8259-A0	Wire harness assembly	1	A24E2-S, B22E2-S, B24E2-S, C24E-S, E24E2-S, G24E2-S, H series, J24E2-S	Right unit side receptacle assembly for the separated battery seat models	0.5
4	X0E-81994-A0	• Label, safety	1		Warning label	
5	X0E-8A8R2-00	• Label 2	1		'R' label	
6	97707-30514	• Screw, pan head tapping (+)	4		To secure Case to Coupler box bracket. Tightening torque: 0.6 - 0.8 Nm	
7	95817-06025	Bolt, flange	2		To secure Wire harness assembly to Unit housing. Tightening torque: 8.0 - 13.0 Nm	
8	90387-062M3	Collar	2		To secure Wire harness assembly to Unit housing.	
9	X0C-83599-00	Guide, wire	1		To hold 'D' shape wire grommet	
10	91317-03008	Bolt, hexagon socket head	2		To secure Guide to Unit housing. Tightening torque: 0.4 - 0.7 Nm	
11	X0E-46370-B0	Shift assembly	1	C24E-S, D24E2, E series, G series	with (a) type angle bracket (No.14)	0.3
	X0E-46370-A0			A series, B series, F24E2, H series, J series	with (b) type angle bracket (No.14)	
12	X0E-82016-A0	• Main switch sub-assembly	1		Power switch main unit	0.4
13	X0E-82108-A0	• • Label	1		'Power' label	
14	X0E-82584-00	• Cap, switch	1		Switch guard, can be used for Mode switch	
15	X0E-46383-00	• Lever 2, shift	1	C24E-S, D24E2, E series, G series	Angle bracket (a)	0.4
	X0E-46383-10			A series, B series, F24E2, H series, J series	Angle bracket (b)	
16	X0E-46396-00	• Arm neutral	1			0.4
17	92017-06010	• Bolt, button head	3		To assemble switch, arm and lever. Tightening torque: 8.0 - 12.0 Nm	
18	92017-06016	• Bolt, button head	2		To secure arm neutral (No. 15) to drive unit. Tightening torque: 10.0 - 16.0 Nm	

FIG. 5 Battery Seat 1

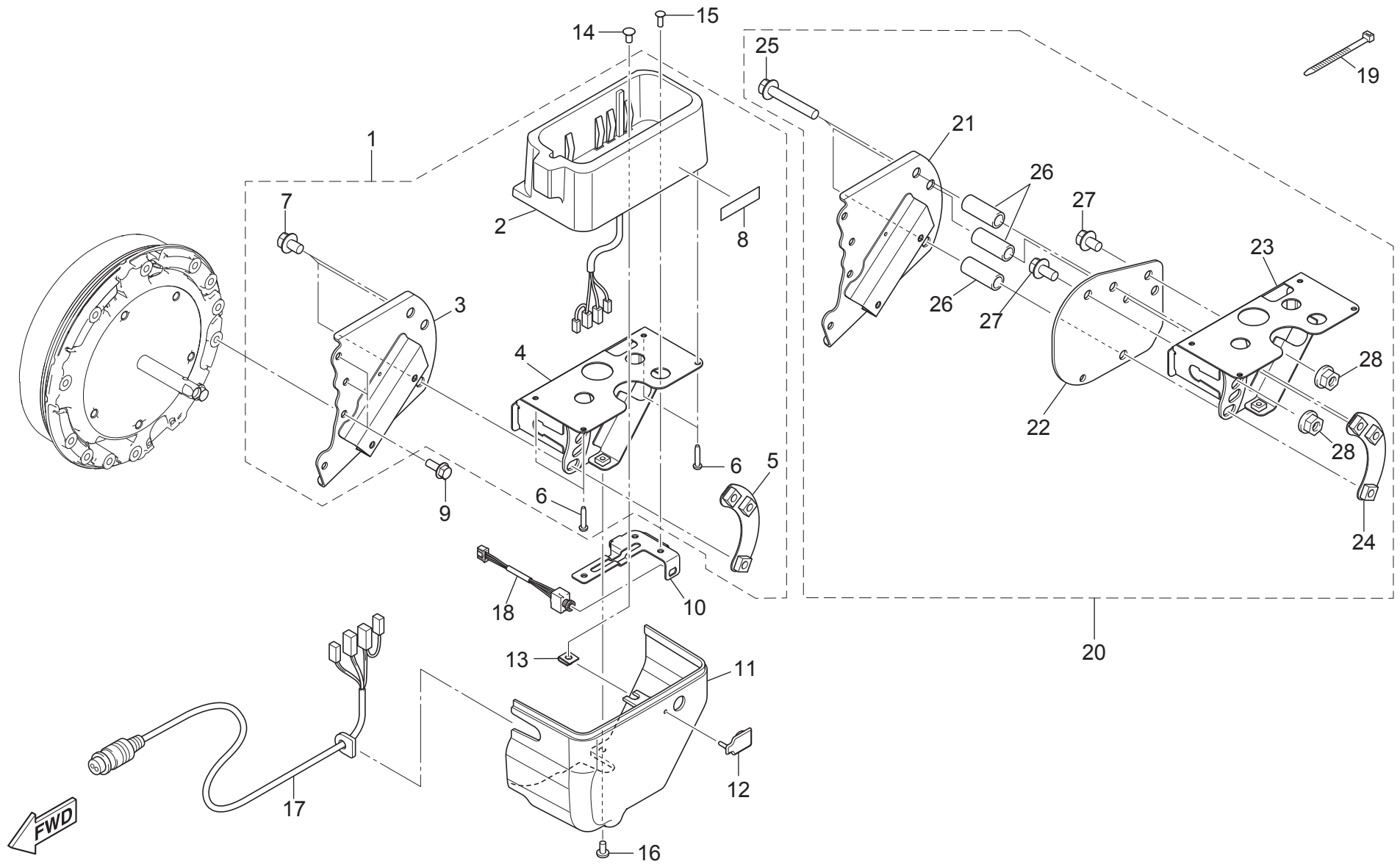


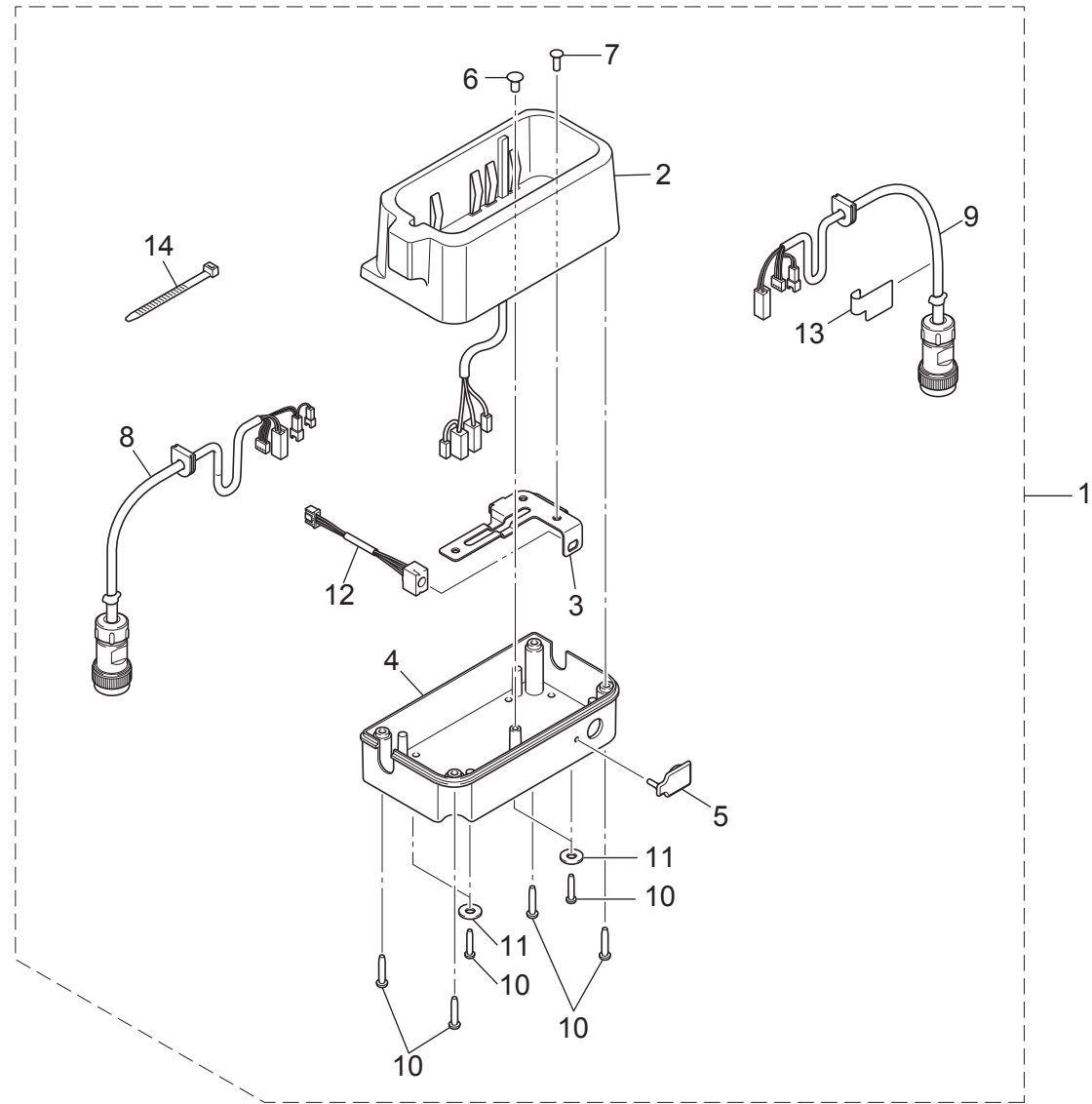
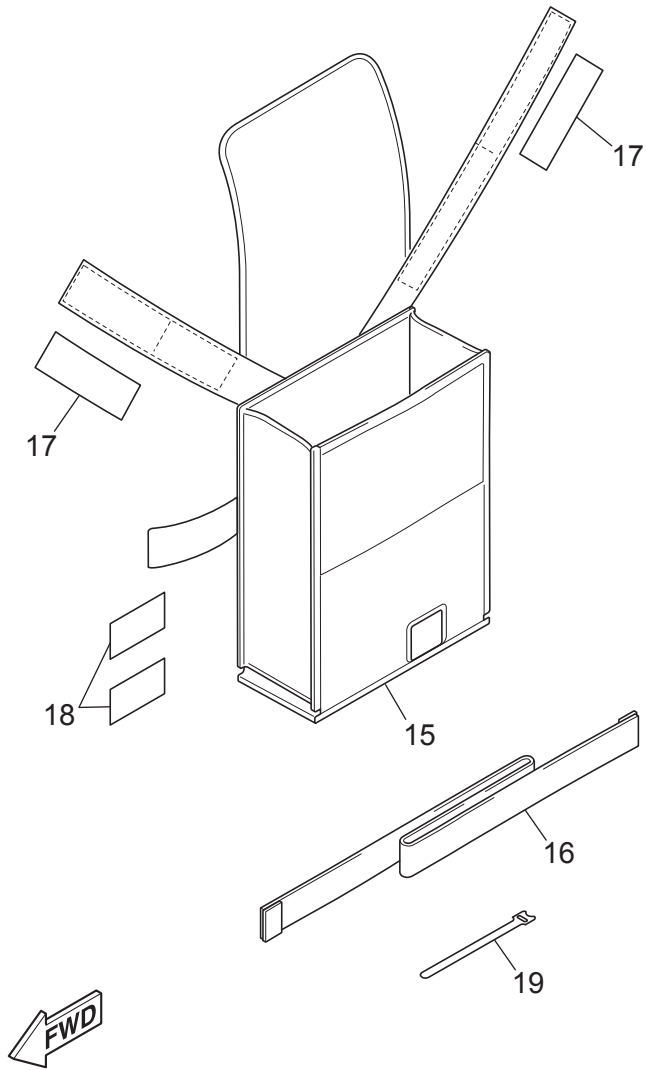
FIG. 5 Battery Seat 1

No.	Part Number	Part Name	Qty.	Application	Detail	Repairing time
1	X0E-821A1-A0	Seat battery assembly 1	1			
2	X0C-82102-03	• Battery seat assembly	1			0.5
3	X0E-21393-00	• Bracket 1, battery box	1		Standard type, not for the offset kit	0.4
4	XA4-21394-00	• Bracket 2, battery box	1			0.5
5	XA4-21395-00	• Bracket 3, battery box	1			0.4
6	97707-40520	• Screw, pan head tapping	4		To secure Bracket 2 (No.4). Tightening torque: 1.6 - 2.0 Nm	
7	95807-08012	• Bolt, flange	3		To assemble Bracket 1,2,3. Tightening torque: 8.5 - 14.0 Nm	
8	X0C-2118K-A1	• Label, caution	1			
9	95817-06016	Bolt, flange	4		To secure Bracket 1 (No.3). Tightening torque: 8.0 - 13.0 Nm	
10	X0E-82136-00	Plate, battery fitting	1			0.4
11	X0E-2132H-00	Plate, cover	1		Battery seat under cover	0.1
12	X0E-82375-00	Cover, plug cap	1		Rubber cap for the Smart Tune cable jack	
13	90183-05061	Nut, spring	1		Spring nut plate for Cover plate (No.11)	
14	98707-05010	Screw, flat head (+)	1		To secure Cover plate (no.11) (upper side) Tightening torque: 2.0 - 3.5 Nm	
15	98707-04012	Screw, flat head (+)	3		To secure Plate (No.10). Tightening torque: 1.0 - 2.0 Nm	
16	98907-05010	Screw, binding head	1		To secure Cover plate (no.11) (lower side) Tightening torque: 2.0 - 3.5 Nm	
17	X0E-87276-10	Coupler, control box	1		Left/right units connecting cable	0.2
18	X0E-85598-00	Connector, wire	1		Mini jack for Smart Tune cable	0.1
19	90464-15195	Clamp	1		To secure the wires inside of the battery seat. 165mm length	
20	X0E-8210D-00	Battery bracket sub assembly	1	Option kit	Optional parts to offset the battery seat 32 mm	0.5
21	X0E-21393-10	• Bracket 1, battery box	1		Strengthen bracket 1 for offsetting the battery seat	
22	X0E-2177T-00	• Plate, battery guide	1		To reinforce bracket 2. Thickness 2mm	
23	X0E-21394-00	• Bracket 2, battery box	1			
24	XA4-21395-00	• Bracket 3, battery box	1			
25	95817-08045	• Bolt, flange	3		Tightening torque: 15.0 - 23.0 Nm	
26	90387-080K6	• Collar	3		Offset color, 32mm length	
27	95817-08014	• Bolt, flange	2		Tightning torque: 15.0 - 23.0 Nm	
28	95607-08200	• Nut, U flange	2			

FIG. 5 'Battery Seat 1' parts apply to the models A24E2, B22E2, D24E2, E24E2, F24E2, G24E2, J24E2



FIG. 6 Battery Seat 2



This figure indicates X0E-8210E-A0 case about the No.8 and No.9 wire positions. X0E-8210E-B0 case, No.8 and No.9 wire positions are opposite.

FIG. 6 Battery Seat 2

No.	Part Number	Part Name	Qty.	Application	Detail	Repairing time
1	X0E-8210E-A0	Battery box assembly	1	A24E2-S, B22E2-S, B24E2-S, J24E2-S	Battery seat assembly for back seat position Hanger bag. Wire length 490mm both.	
	X0E-8210E-B0			C24E-S	Battery seat assembly for under seat position Hanger bag. Wire length 720mm both.	
	X0E-8210E-C0			D24E2-S, E24E2-S, G24E2-S	Battery seat assembly for back seat position Hanger bag. Wire length 490mm both.	
	X0E-8210E-D0			H series	Battery seat assembly for back seat position Hanger bag. Wire length 490mm both.	
2	X0C-82102-03	• Battery seat assembly	1			0.5
3	X0E-82136-00	• Plate, battery fitting	1			0.5
4	X0E-83723-00	• Case, lower	1			
5	X0E-82375-00	• Cover, plug cap	1		Rubber cap for the Smart Tune cable jack	
6	90161-05006	• Screw, countersunk tapping	1		Tightening torque: 2.0 - 3.5 Nm	
7	98707-04012	• Screw, flat head (+)	3		To secure Plate (No.3). Tightening torque: 1.0 - 2.0 Nm	
8	X0E-87276-10	• Coupler, control box	1	A24E2-S, B22E2-S, B24E2-S, C24E-S, H series, J24E2-S	Connecting cable (Battery seat to Left drive unit) 650mm	0.3
	X0E-87276-A0			D24E2-S, E24E2-S, G24E2-S	Connecting cable (Battery seat to Left drive unit) 750mm	
9	X0E-8183H-00	• Coupler	1	A24E2-S, B22E2-S, B24E2-S, C24E-S, H series, J24E2-S	Connecting cable (Battery seat to Right drive unit) 575mm	0.3
	X0E-8183H-A0			D24E2-S, E24E2-S, G24E2-S	Connecting cable (Battery seat to Right drive unit) 750mm	
10	97707-40520	• Screw, pan head tapping	8		4 pcs to secure the Lower case (No.4), 4 pcs to secure Hanger bag (No. 14). Tightening torque: 1.6 - 2.0 Nm	
11	90201-043H5	• Washer, plain	4		To secure Lower case (No.4) to Hanger bag (No. 14) with Tapping screw (No. 10)	
12	X0E-85598-00	• Connector, wire	1	A24E2-S, B22E2-S, B24E2-S, C24E-S, H series, J24E2-S	Mini jack for Smart Tune cable	0.2
	X0E-85598-A0			D24E2-S, E24E2-S, G24E2-S		
13	X0E-2118K-A0	Label, Caution	1		'Read Manual' label in English and German	
	X0E-2118K-A1				'Read Manual' label in English and French	
14	90464-15195	• Clamp	1		To secure the wires inside of Lower case (No.4). 165mm length	
15	X0E-2473M-B0	Hanger bag	1	A24E2-S, B22E2-S, B24E2-S, H series, J24E2-S	Battery bag	
16	X0E-46241-00	• Belt	1	A24E2-S, B22E2-S, B24E2-S, H series, J24E2-S	1300×25mm fastener belt	
17	X0E-63635-00	• Tape, Fitting	2	A24E2-S, B22E2-S, B24E2-S, H series, J24E2-S	100×50mm male/male fastener belt	
18	X0E-64178-00	• Tape	2	A24E2-S, B22E2-S, B24E2-S, H series, J24E2-S	100×50mm male/female fastener belt	
19	X0E-83725-00	Tape	2	A24E2-S, B22E2-S, B24E2-S, H series, J24E2-S	To secure the Connecting cables	

FIG. 7 Torque stopper (Only for the specified models)

1 : Parts Set, consist of No.2 & No.12  
(Left and right bracket Set)

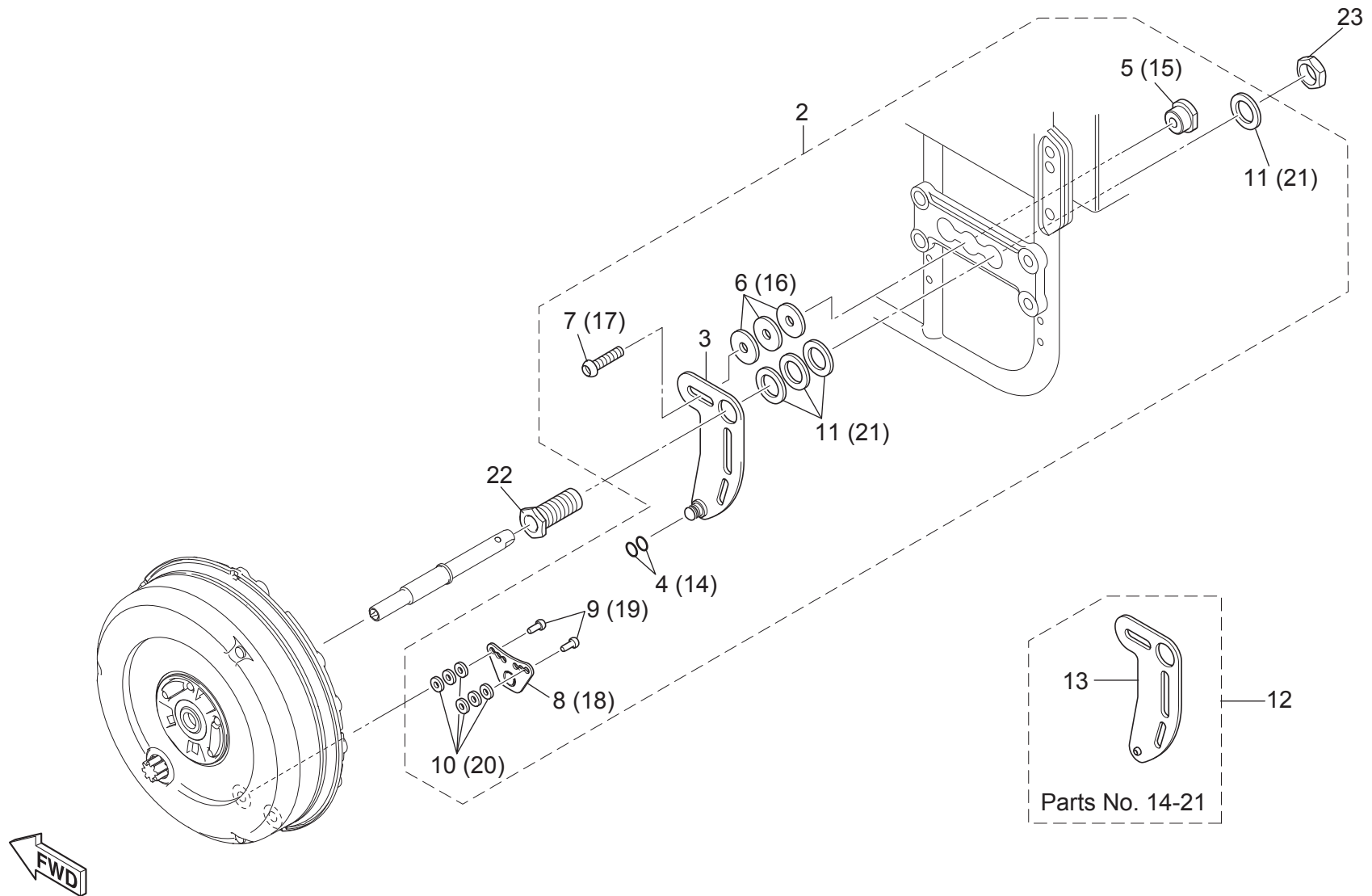


FIG. 7 Torque stopper (Only for the specified models)

No.	Part Number	Part Name	Qty.	Application	Detail	Repairing time
1	X0E-48903-A0	Parts Set 3	1	A series	X0E-43101-D0 + X0E-43102-D0 Left and right bracket set	
	X0E-48903-B0			B series, F24E2, H series	X0E-43101-A0 + X0E-43102-A0 Left and right bracket set	
	X0E-48903-C0			C24E-S	X0E-43101-C0 + X0E-43102-C0 Left and right bracket set	
	X0E-48903-D0				X0E-43101-B0 + X0E-43102-B0 Left and right bracket set	
	X0E-48903-E0			J series	X0E-43101-D0 + X0E-43102-D0 Left and right bracket set	
2	X0E-43101-A0	• Clamp bracket assembly 1	1	B series, F24E2, H series	Left side torque stopper bracket set. Sleeve hole diameter $\phi$ 19.2	
	X0E-43101-B0				Left side torque stopper bracket set. Sleeve hole diameter $\phi$ 16.2	
	X0E-43101-C0			C24E-S option	Left side torque stopper bracket set. Sleeve hole diameter $\phi$ 18.2	
	X0E-43101-D0			A series, J series	Left side torque stopper bracket set. Sleeve hole diameter $\phi$ 18.2	
3	X0E-22274-A0	•• Stopper arm	1	B series, F24E2, H series	Frame side left bracket arm. Sleeve hole diameter $\phi$ 19.2	
	X0E-22274-B0				Frame side left bracket arm. Sleeve hole diameter $\phi$ 16.2	
	X0E-22274-10			A series, C24E-S, J series	Frame side left bracket arm. Sleeve hole diameter $\phi$ 18.2	
4(14)	93210-08006	•• O-ring	2(2)		For Stopper arm pin	
5(15)	XA4-22197-00	•• Boss 2	1(1)	B series, F24E2, H series	Outer dia. (large) $\phi$ 22, outer dia. (small) $\phi$ 16, face width 19	
	X0E-22197-10			A series, C24E-S, J series	Outer dia. (large) $\phi$ 26, outer dia. (small) $\phi$ 18, face width 22	
6(16)	90201-083A8	•• Washer, plain	3(3)		Adjusting washer. Outer diameter $\phi$ 28, hole diameter $\phi$ 8.5, t=3.2	
7(17)	90111-08025	•• Bolt, hexagon socket head	1(1)		Stopper arm fixing bolt. Tightening torque: 8.5 - 12.0 Nm	
8(18)	X0E-28216-00	•• Plate 1, lock	1(1)		Drive unit side lock plate	
9(19)	92017-06016	•• Bolt, button head	2(2)		To fix Plate, lock 1. Tightening torque: 8.5 - 12.0 Nm	
10(20)	90201-06557	•• Washer	6(6)		Adjusting washer. Outer diameter $\phi$ 18, hole diameter $\phi$ 6.2 t=1.6	
11(21)	90201-18020	•• Washer, plain	4(4)		Adjusting washer. Outer diameter $\phi$ 35, hole diameter $\phi$ 18.5 t=3.2	
	90201-16018				Adjusting washer. Outer diameter $\phi$ 27, hole diameter $\phi$ 16.5 t=3.2	
12	X0E-43102-A0	• Clamp bracket assembly 2	1	B series, F24E2, H series	Right side torque stopper bracket set. Sleeve hole diameter $\phi$ 19.2	
	X0E-43102-B0				Right side torque stopper bracket set. Sleeve hole diameter $\phi$ 16.2	
	X0E-43102-C0			C24E-S option	Right side torque stopper bracket set. Sleeve hole diameter $\phi$ 18.2	
	X0E-43102-D0			A series, J series	Right side torque stopper bracket set. Sleeve hole diameter $\phi$ 18.2	
13	X0E-22294-A0	•• Stopper arm 2	1	B series, F24E2, H series	Frame side right bracket arm. Sleeve hole diameter $\phi$ 19.2	0.1
	X0E-22294-B0				Frame side right bracket arm. Sleeve hole diameter $\phi$ 16.2	
	X0E-22294-10			A series, J series	Frame side right bracket arm. Sleeve hole diameter $\phi$ 18.2	
22	XA3-43131-01	Bolt, clamp bracket	2	A series	Axle sleeve $\phi$ 12.7 x 46mm M18 outer thread, Total length 48mm	0.2
	XA3-43131-11				Axle sleeve $\phi$ 12.7 x 46mm M16 outer thread, Total length 46mm	
	XA3-43131-20				Axle sleeve $\phi$ 12.7 x 46mm M18 outer thread, Total length 66.5mm	
	XA4-43131-G0				Axle sleeve $\phi$ 12.0 x 46mm M16 outer thread, Total length 46mm	
23	90170-16425	Nut, Hexagon	2		Nut to secure M16 axle sleeve (No.22)	
	90170-18165				Nut to secure M18 axle sleeve (No.22)	

FIG. 8 Battery and charger

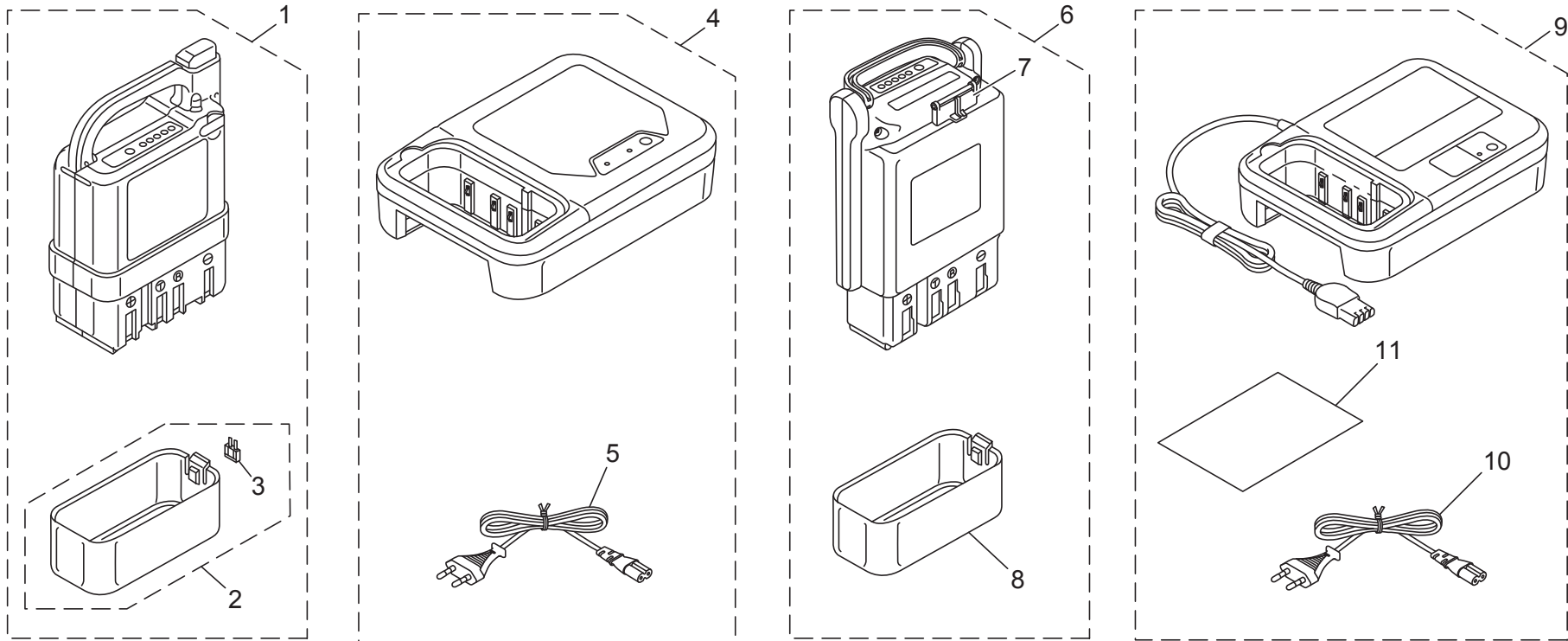


FIG. 8 Battery and charger

No.	Part Number	Part Name	Qty.	Application	Detail	Repairing time
1	XA4-82100-A7	Battery assembly 2	1	C24E-S	Ni-MH battery for the specified model	
	XA4-82100-B2			A series, J series	Ni-MH battery with the English language 'Ni-MH' label	
	XA4-82100-G6			D24E2, E series, F24E2, G series	Ni-MH battery without the 'Ni-MH' label	
	XA4-82100-J4			B series, H series	Ni-MH battery for the specified models	
2	XA4-82160-10	• Battery cover assembly	1		Plastic terminal cover with backup fuse (No.3) for Ni-MH battery	
3	5JJ-82151-20	• • Fuse	1		Backup battery fuse	
4	XA4-82107-N4	Charger, battery	1	A series	Ni-MH battery charger for the specified models	
5	X0F-87132-A0	• Charging cord assembly	1	A series	Power cord for Ni-MH battery charger (AU plug)	
6	X0C-82100-B1	Battery assembly 2	1	B series, D24E2, E series, F24E2, G series, H series, J series	Li-ion Battery	
	X0C-82100-C1			C24E-S	Li-ion Battery for the specified models	
7	X0C-82371-11	• Cap, plug	1		Charge jack lid	
8	XA4-82129-00	• Cover, battery	1		Plastic terminal cover for Li-ion battery	
9	X0F-8210C-D0	Battery charger assembly	1		Charger for Li-ion and Ni-MH Battery, Trilingual label, Tiwan plug	
	X0F-8210C-E0				Charger for Li-ion and Ni-MH Battery, without label, Korea plug	
	X0F-8210C-G0				Charger for Li-ion and Ni-MH Battery, without label, EU plug	
	X0F-8210C-J0				Charger for Li-ion and Ni-MH Battery, Trilingual label, US plug	
	X0F-8210C-N0				Charger for Li-ion and Ni-MH Battery, Trilingual label, AU plug	
10	X0F-87132-D0	Cord assembly 2	1		Power cord for Taiwan	
	X0F-87132-E0				Power cord for Korea	
	X0F-87132-B0				Power cord for EU	
	X0F-87132-C0				Power cord for US	
	X0F-87132-A0				Power cord for AU	
11	X0F-8210A-00	• Manual	1		English, German, French	
	X0F-8210A-10				Japanese, Korean, Taiwanese, English	

Index (Part Numbers)

Part number	Ref. No.	Part number	Ref. No.	Part number	Ref. No.	Part number	Ref. No.	Part number	Ref. No.
5JJ-82151-20	8-3	95817-06016	5-9	X0E-21393-10	5-21	X0E-42721-00	2-22	X0E-463A4-K1	4-1
90111-06022	1-17	95817-06025	3-7	X0E-21394-00	5-23	X0E-42722-00	2-23	X0E-463A4-L1	4-1
90111-08025	7-7(17)	95817-06025	4-7	X0E-2177T-00	5-22	X0E-43101-A0	7-2	X0E-463A4-M1	4-1
90161-05006	6-6	95817-08014	5-27	X0E-22197-10	7-5(15)	X0E-43101-B0	7-2	X0E-463A4-N1	4-1
90170-16425	7-23	95817-08045	5-25	X0E-22274-10	7-3	X0E-43101-C0	7-2	X0E-463A4-R1	4-1
90170-18165	7-23	97602-03306	2-10	X0E-22274-A0	7-3	X0E-43101-D0	7-2	X0E-463B4-E1	4-1
90183-05061	5-13	97607-03210	2-9	X0E-22274-B0	7-3	X0E-43102-A0	7-12	X0E-463B4-K1	4-1
90185-12008	1-21	97707-30514	3-6	X0E-22294-10	7-13	X0E-43102-B0	7-12	X0E-463B4-M1	4-1
90201-043H5	6-11	97707-30514	4-6	X0E-22294-A0	7-13	X0E-43102-C0	7-12	X0E-463B4-N1	4-1
90201-06557	7-10(20)	97707-40520	5-6	X0E-22294-B0	7-13	X0E-43102-D0	7-12	X0E-463B4-R1	4-1
90201-083A8	7-6(16)	97707-40520	6-10	X0E-2255A-00	1-16	X0E-45319-00	2-21	X0E-48903-A0	7-1
90201-12049	1-20	98580-03010	2-16	X0E-2255A-10	1-16	X0E-46136-01	2-18	X0E-48903-B0	7-1
90201-16018	7-11(21)	98580-04006	2-13	X0E-2255A-50	1-16	X0E-46241-00	6-16	X0E-48903-C0	7-1
90201-18020	7-11(21)	98707-04012	5-15	X0E-2255A-60	1-16	X0E-46313-00	2-19	X0E-48903-D0	7-1
90387-062M3	3-8	98707-04012	6-7	X0E-2473M-B0	6-15	X0E-46328-00	1-2	X0E-48903-E0	7-1
90387-062M3	4-8	98707-05010	5-14	X0E-25304-00	1-4	X0E-46340-A0	3-12	X0E-63635-00	6-17
90387-080K6	5-26	98902-04035	2-20	X0E-25304-10	1-4	X0E-46340-B0	3-12	X0E-64178-00	6-18
90464-15195	5-19	98907-05010	5-16	X0E-2530B-C1	1-18	X0E-46370-A0	4-11	X0E-6831A-A0	3-13
90464-15195	6-14	X0C-2118K-A1	5-8	X0E-2530B-D1	1-18	X0E-46370-B0	4-11	X0E-8183H-00	6-9
90480-04610	3-9	X0C-25383-00	2-5	X0E-2530B-E1	1-18	X0E-46383-00	3-15	X0E-8183H-A0	6-9
91312-04016	2-3	X0C-82100-B1	8-6	X0E-2530B-F1	1-18	X0E-46383-00	4-15	X0E-81994-A0	3-4
91312-05014	2-17	X0C-82100-C1	8-6	X0E-2530B-G1	1-18	X0E-46383-10	3-15	X0E-81994-A0	4-4
91312-05016	1-11	X0C-82102-03	5-2	X0E-2530B-H1	1-18	X0E-46383-10	4-15	X0E-82016-A0	4-12
91317-03008	3-11	X0C-82102-03	6-2	X0E-2530E-00	2-4	X0E-46396-00	3-16	X0E-82108-A0	4-13
91317-03008	4-10	X0C-82371-11	8-7	X0E-2530E-A0	2-4	X0E-46396-00	4-16	X0E-82108-D0	3-14
91317-04012	1-15	X0C-83599-00	3-10	X0E-2530E-B0	2-4	X0E-463A1-A3	3-1	X0E-8210D-00	5-20
92017-05012	1-3	X0C-83599-00	4-9	X0E-2530E-C0	2-4	X0E-463A1-A8	3-1	X0E-8210E-A0	6-1
92017-06010	3-17	X0E-15650-01	2-24	X0E-2532N-A0	1-1	X0E-463A1-A9	3-1	X0E-8210E-B0	6-1
92017-06010	4-17	X0E-176F4-01	2-1	X0E-2532N-B0	1-1	X0E-463A1-B3	3-1	X0E-8210E-C0	6-1
92017-06016	3-18	X0E-17810-00	2-2	X0E-2533N-A0	1-1	X0E-463A1-C3	3-1	X0E-8210E-D0	6-1
92017-06016	4-18	X0E-17810-01	2-2	X0E-2533N-B0	1-1	X0E-463A1-D2	3-1	X0E-82136-00	5-10
92017-06016	7-9(19)	X0E-17810-10	2-2	X0E-25350-01	1-22	X0E-463A3-A1	3-2	X0E-82136-00	6-3
92A08-03012	1-23	X0E-17810-11	2-2	X0E-25358-00	1-8	X0E-463A3-E1	3-2	X0E-821A1-A0	5-1
93210-08006	7-4(14)	X0E-2118K-A0	6-13	X0E-25364-00	1-12	X0E-463A3-F1	3-2	X0E-82375-00	5-12
93440-12052	2-6	X0E-2118K-A1	6-13	X0E-2536A-01	1-10	X0E-463A3-G1	3-2	X0E-82375-00	6-5
95607-08200	5-28	X0E-2132H-00	5-11	X0E-2536E-00	1-19	X0E-463A3-H1	3-2	X0E-82584-00	4-14
95807-08012	5-7	X0E-21393-00	5-3	X0E-28216-00	7-8(18)	X0E-463A4-E1	4-1	X0E-8358X-00	2-15



Part number	Ref. No.	Part number	Ref. No.
X0E-83688-00	2-14	XA3-43131-11	7-22
X0E-83723-00	6-4	XA3-43131-20	7-22
X0E-83725-00	6-19	XA3-8252K-00	2-11
X0E-85598-00	5-18	XA3-82545-00	2-12
X0E-85598-00	6-12	XA4-21394-00	5-4
X0E-85598-A0	6-12	XA4-21395-00	5-5
X0E-85753-00	2-8	XA4-21395-00	5-24
X0E-86152-00	1-13	XA4-22197-00	7-5(15)
X0E-86526-00	4-2	XA4-25308-G0	1-5
X0E-86535-00	1-14	XA4-25308-H0	1-5
X0E-87276-10	5-17	XA4-43131-G0	7-22
X0E-87276-10	6-8	XA4-82100-A7	8-1
X0E-87276-A0	6-8	XA4-82100-B2	8-1
X0E-8A8R1-00	3-5	XA4-82100-G6	8-1
X0E-8A8R2-00	4-5	XA4-82100-J4	8-1
X0E-W2537-A0	1-6	XA4-82107-N4	8-4
X0E-W2819-10	2-25	XA4-82129-00	8-8
X0E-W8259-A0	4-3	XA4-82160-10	8-2
X0E-W8592-A1	2-7		
X0E-W8592-B1	2-7		
X0E-W8595-A0	3-3		
X0F-8210A-00	8-11		
X0F-8210A-10	8-11		
X0F-8210C-D0	8-9		
X0F-8210C-E0	8-9		
X0F-8210C-G0	8-9		
X0F-8210C-J0	8-9		
X0F-8210C-N0	8-9		
X0F-87132-A0	8-5		
X0F-87132-A0	8-10		
X0F-87132-B0	8-10		
X0F-87132-C0	8-10		
X0F-87132-D0	8-10		
X0F-87132-E0	8-10		
XA3-2531A-00	1-9		
XA3-25357-50	1-7		
XA3-43131-01	7-22		

 **decon**